

IF YOU...



MIX IT. FILL IT. PACK IT. SHIP IT.

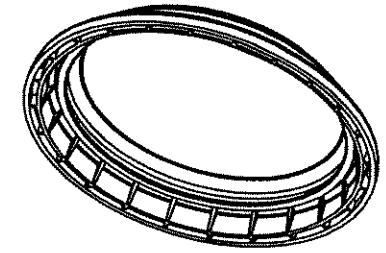
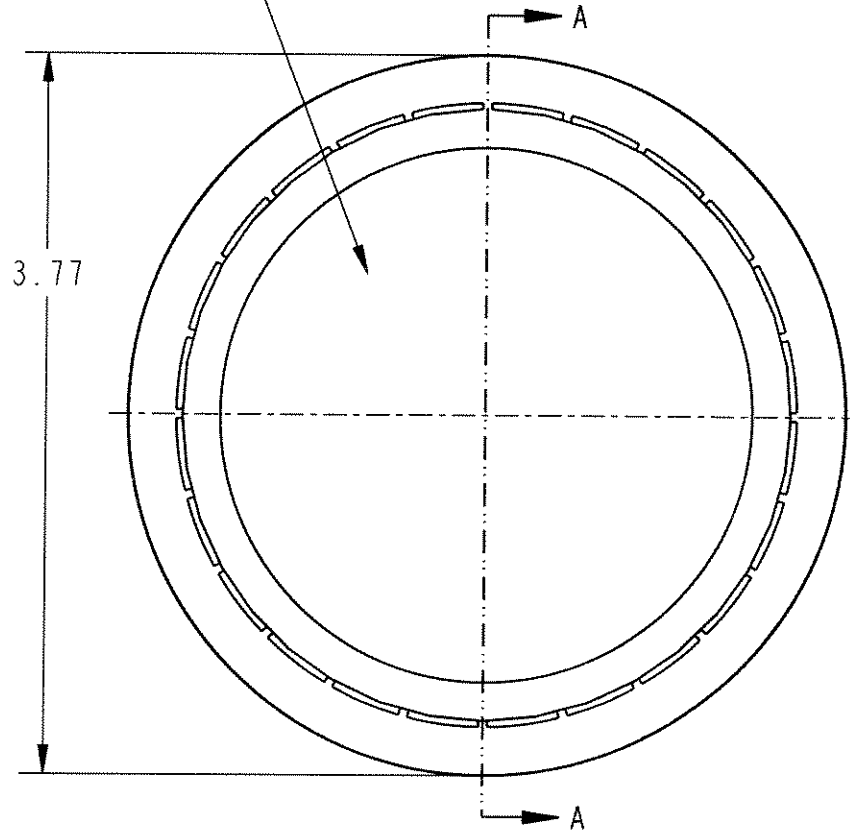
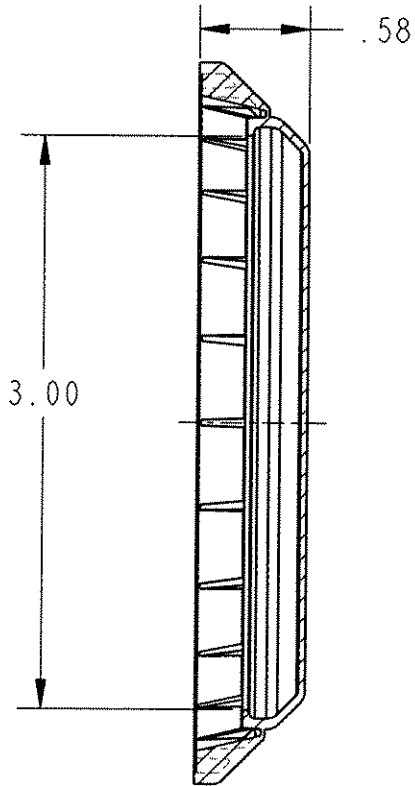
WE HAVE A PRODUCT FOR YOU



Part #	26WAP2
Neck Width	2"
Drum Type	Steel Drums
Color	White
Material	PE
Case Pack	250 ea.
Pallet Pack	4,500 ea (18 Cases)

Note: *Designed for use on Hec-Head Rieke®
Visegrip® drum plugs. (Not designed
for Visegrip II plugs)

2.50 DIA MAX. PRINTING AREA



SCALE 0.5

PRO/E

BREAK ALL SHARP EDGES WITH 1/64" RADIUS, UNLESS OTHERWISE SPECIFIED	DATE	DRAWN BY					DETAIL NAME 2" ALL PLASTIC TAMPER CAP FOR VISEGRIP				
	1-MAY-01	RDR					TOOL ASS'Y NAME				
		CHECKED					PRODUCT	AP-3	TOOL ASS'Y NUMBER		
	THE FOLLOWING TOLERANCES APPLY UNLESS OTHERWISE SPECIFIED:	SCALE	TPK				DRAWING NUMBER	28001014			
ANGLES	± 1/4°	NOTED	APPROVED	A	REVISE TITLE FROM TITEGRIP TO VISEGRIP	22-Feb-02	TPK	FOR	AUBURN	DETAIL NUMBER	
HUNDREDTH	± .015		CHANGE NUMBER		CHANGE		DATE		MATERIAL	HDPE	AP-3
THOUSANDTH	± .005								TEMPER		

Supplied By: The Cary Company

Ph: 630-629-6600

www.thecarycompany.com

