

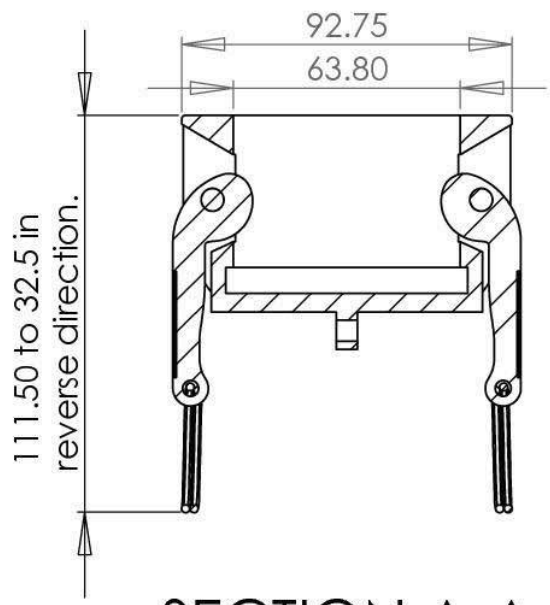
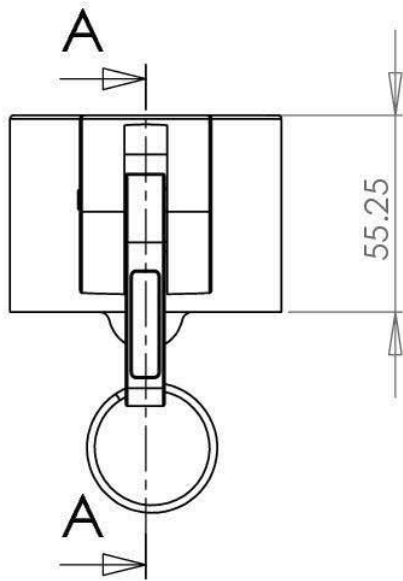
Part#: 26WCDC



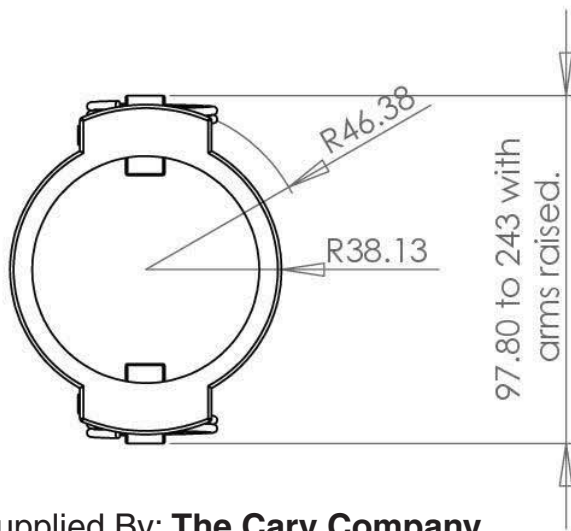
2" Camlock Dust Cap w/ 2 Locking Clips for Camlock Valves on Totes



Supplied By: **The Cary Company**
Ph: 630-629-6600
www.thecarycompany.com



SECTION A-A



Supplied By: **The Cary Company**
 Ph: 630-629-6600
 www.thecarycompany.com

DO NOT SCALE DRAWING	REVISION 2
26WCDC	
Article:	A4
WEIGHT:	SCALE:1:2
SHEET 1 OF 1	