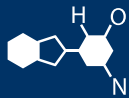


# IF YOU...



MIX IT. FILL IT. PACK IT. SHIP IT.

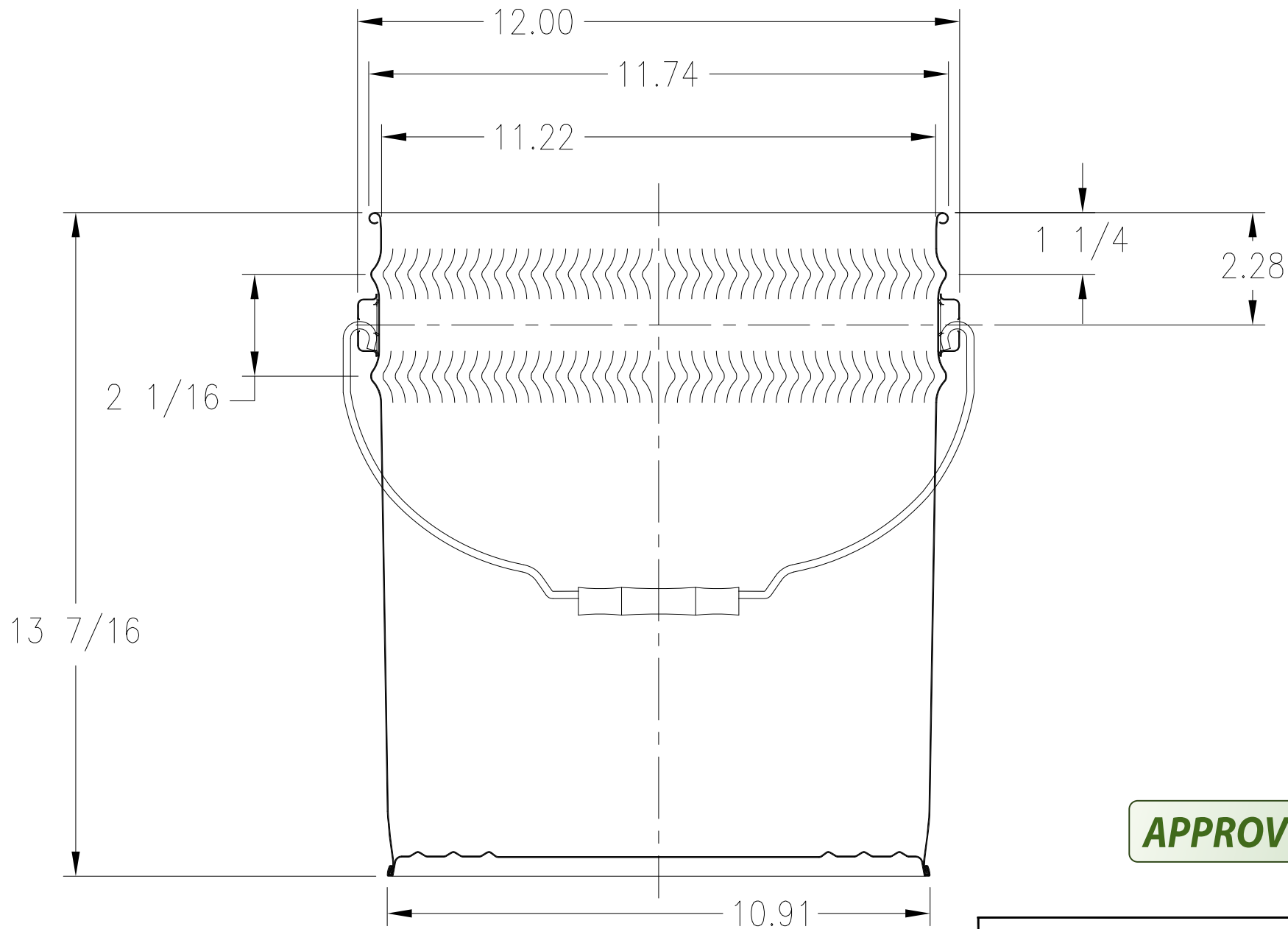
# WE HAVE A PRODUCT FOR YOU

Part # 26WD40

---

---





**APPROVED**

NOTE  
PAILS ARE AVAILABLE IN STANDARD AND U.N. CERTIFIED.

The  
**CARY COMPANY**  
Est. 1895

11-1/4" DIAMETER - 5 GALLON  
OPEN HEAD 2-1/16" DOUBLE BEAD  
TAPERED PAIL

DRAWN BY:	SCALE	REV. BY	NO.	DATE	REVISION DESCRIPTION
J.Z	~				
CHECKED BY:	DATE				
	2-07-13				
APPROVED BY:					

LOCATION	SUPERCEDES	MATERIAL	PRINT NO.	REV.
HMVL, CHGO, NB			PD500-5-026	A