

IF YOU...



MIX IT. FILL IT. PACK IT. SHIP IT.

WE HAVE A PRODUCT FOR YOU



30 Gallon Steel Drum, UN Rated, Lined,
Cover w/Bolt Ring Closure, 2" & 3/4" Fittings

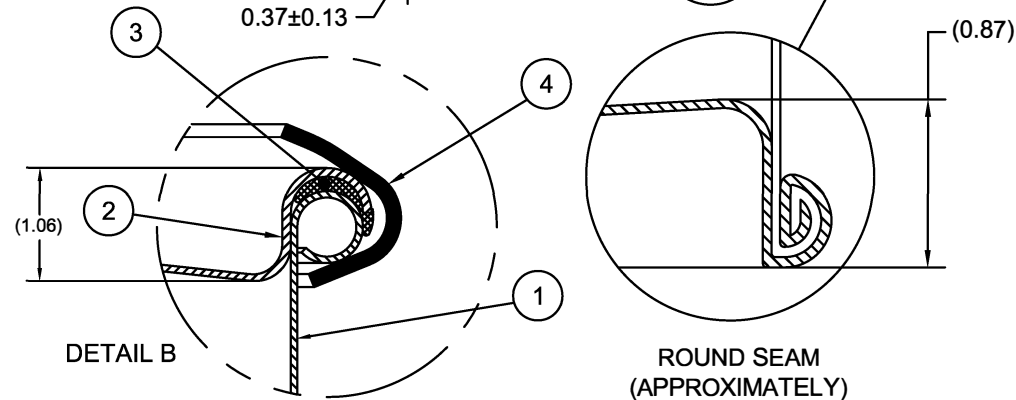
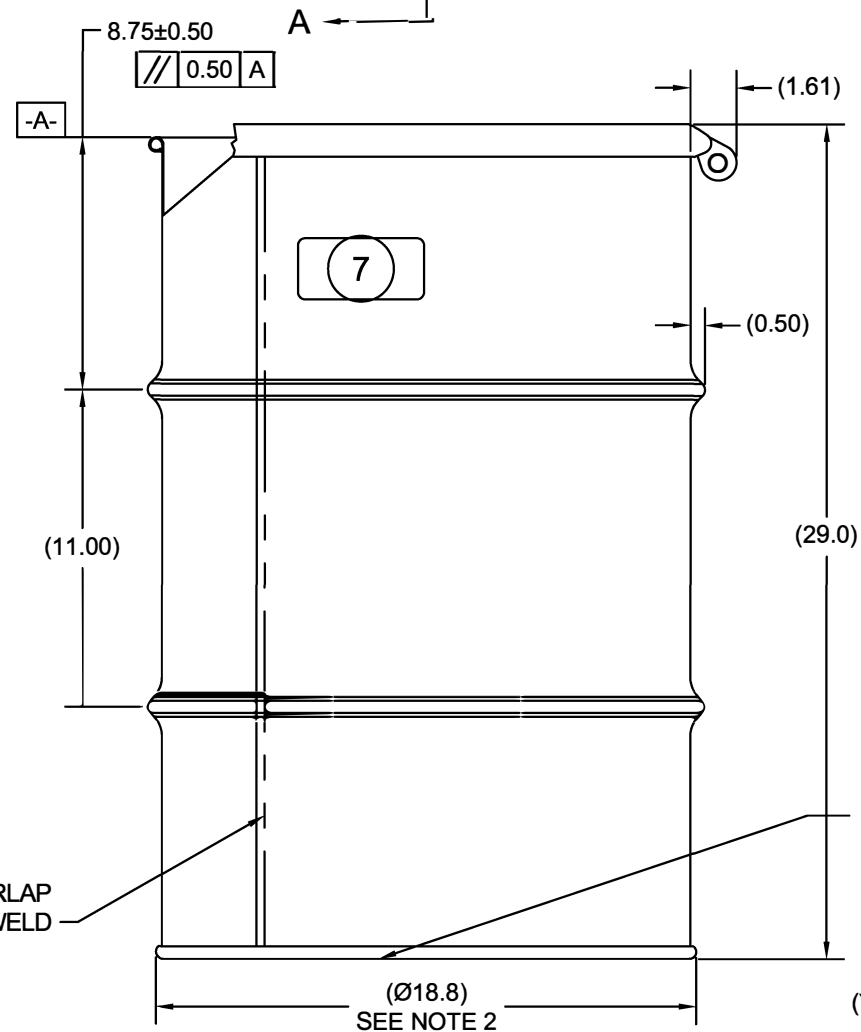
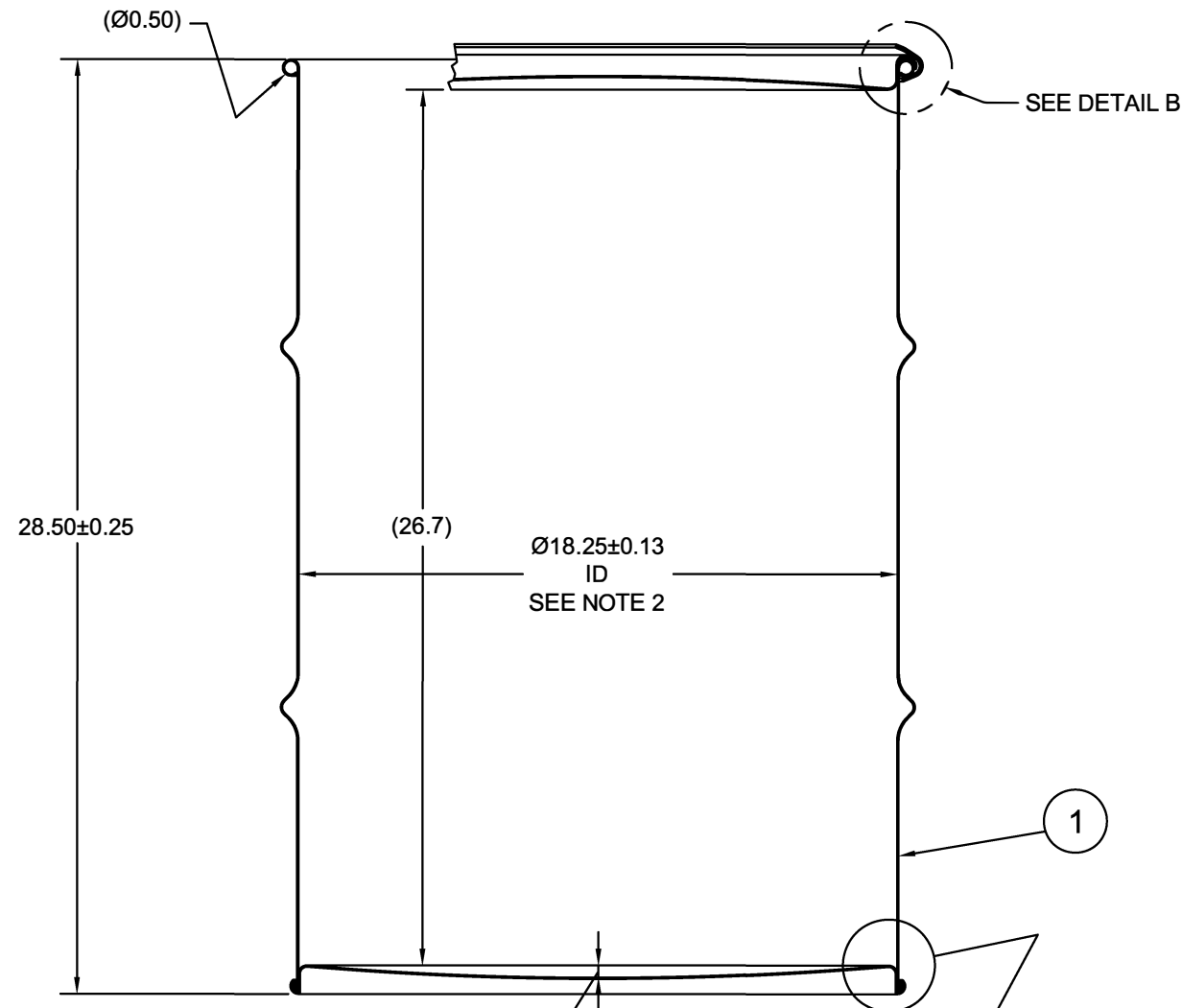
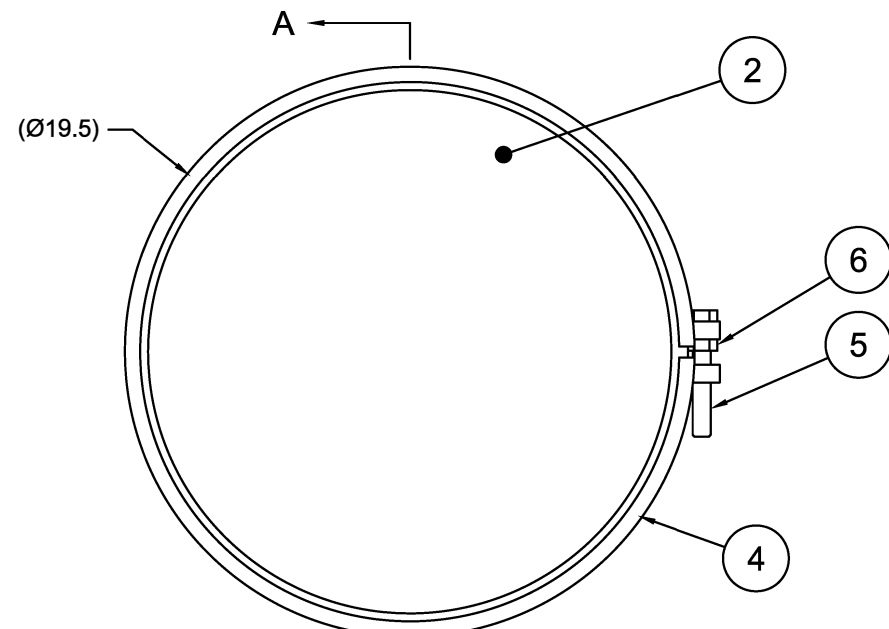
Product Category: Open Head Steel Drums

| | |
|------------------|--|
| Part # | 26WDRM |
| Capacity | 30 gal. |
| Condition | New |
| Color | Black w/ White Cover |
| Material | Carbon Steel |
| Closure | Cover w/ Bolt Ring Closure |
| Lining | Epoxy Phenolic Lining |
| Steel Thickness | 1.2/1.2/1.2 (Top/Body/Bottom) |
| Steel Gauge | 18/18/18 (Top/Body/Bottom) |
| Fittings | 2"NPT & 3/4" NPT |
| Gasket | EPDM Rubber Gasket |
| Dimensions | 18.25"Dia. x 26.7"H (inside) 18.8"Dia. x 29"H (outside) |
| UN Rating Liquid | UN1A2/Y1.5/150 |
| UN Rating Solid | UN1A2/X235/S |

500300

| ECN # or INIT | REV | DESCRIPTION | DATE |
|---------------|-----|--------------------|-------------|
| OE-005 | A1 | REDRAWN TO AutoCAD | 03-MAY-2010 |
| OE-001 | A2 | CLERICAL ERROR | 29-MAR-2013 |
| OE-001 | A3 | ADDED CHIME VIEW | 29-APR-2013 |

SECTION A-A



NOTES:

1. THESE DIMENSIONS REPRESENT DRUM AFTER BEING PROPERLY ASSEMBLED AND CLOSED PER CLOSING INSTRUCTIONS
2. TO DETERMINE GREATER ACCURACY OF ANY DIAMETRIC DIMENSION, MEASURING OF CIRCUMFERENCE IS REQUIRED
3. CONSTRUCTION per 49 CFR § 178.504 (b)

MATERIAL:

1. DRUM BODY AND COVER CRCQ CARBON STEEL PER ASTM A1008 AND ASTM A568 OR EQUIVALENT
2. MATERIAL THICKNESS 1.2mm(0.0433 - 0.0480, 18 GAUGE)
3. GASKET MAT'L PER ASTM D1056

FINISH:

1. BODY/BOTTOM EXTERIOR PAINTED BLACK (LQ10003)
COVER EXTERIOR PAINTED WHITE (LQ10020)

| ITEM | P/N | DESCRIPTION | QTY |
|------|---------|------------------------------------|-----|
| 7 | | UN DURABLE LABEL | 1 |
| 6 | NT5800 | 5/8-11UNC HEX JAM NUT | 1 |
| 5 | BT5840 | 5/8-11UNC X 4in LONG HEX HEAD BOLT | 1 |
| 4 | RBH1812 | BOLT RING 20-30G 12 GA 5/8 LUG | 1 |
| 3 | GE2000 | GASKET EPDM IN-COVER D | 1 |
| 2 | P1812 | COVER, Ø18.25 DRUM, CRCQ STEEL | 1 |
| 1 | | 30 GALLON DRUM BODY AND BOTTOM | 1 |

UN NUMBER EMBOSSED ON BOTTOM OF DRUM
 ½" CHARACTERS READING:
 UN/1A2/X235/S/YR
 UN/1A2/Y1.5/150/YR
 1.2 *

(YR = YEAR OF MANUFACTURE)

TARE WEIGHT:
33 lbs

| | | |
|---------------------------------|------------|-----------|
| MFG BR | DRW LJT | CHK BL |
| | SLS | QA MD |
| Petersen | | |
| FILE CREATED IN AutoCAD 2002 | | |

UNLESS STATED OTHERWISE

(DIMENSIONS IN PARENTHESIS ARE FOR REFERENCE ONLY!!!)
 ALL DIMENSIONS ARE IN INCHES
 DO NOT SCALE DRAWING
 TOLERANCES:
 FRACTIONS ±1/4 X° ± 3°
 X.X ± 0.2
 X.XX ± 0.10
 X.XXX ± 0.030

The **CARY COMPANY** Est. 1895

DESCRIPTION
30 GALLON OPEN HEAD DRUM
1.2 - 1.2 - 1.2 CRCQ
1A2/X235/S & 1A2/Y1.5/150

| | | |
|--------------------------|--------------------------------|-----------|
| REL. DATE 03-MAY-2010 | PART NUM. / FILENAME CQ3005 | REV A3 |
|--------------------------|--------------------------------|-----------|