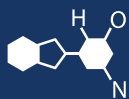


# IF YOU...



MIX IT. FILL IT. PACK IT. SHIP IT.

# WE HAVE A **PRODUCT** FOR YOU

Part #: 26WF3U

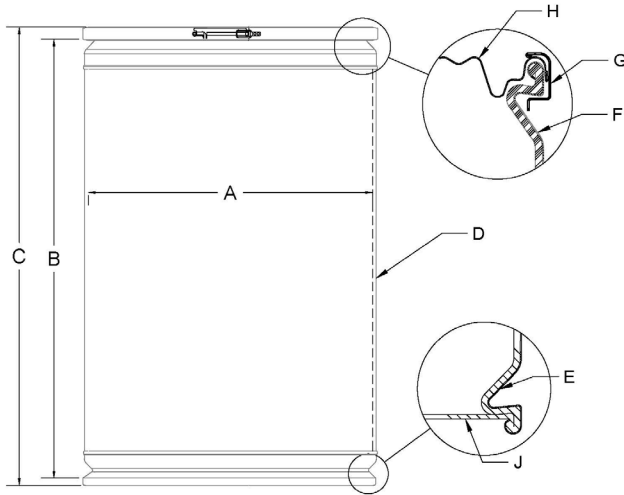
Fiber Drums

30 Gallon Fiber Drum, Plain Metal Cover w/Lever  
Lock Ring, 300 lb. Capacity



The  
**CARY**COMPANY  
Est. 1895

1195 W. Fullerton Ave. | Addison, IL 60101 | T: 630.629.6600 | F: 630.629.3690 |



NMFC Article	Item 291 - Dry or Solid
NMFC Net Weight Limit	300#
UN Mark	1G/Y143/S/YR
Drum Type	Lok-Rim
Inside Diameter (A)	18-1/2"
Inside Height (B)	26"
Outside Height (C)	27"
Tare Weight (approx)	10.5#
Nominal Capacity (U.S. Gallons)	30 Gallons
Exterior Finish	Plain Kraft
Sidewall Construction (D)	Meeting minimum thickness of 800 PSI Mullen
Sidewall Adhesive	Sodium Silicate Between Each Lamination
Lining (D)	None
Barrier (D)	None
Bottom (J)	.120"/1000# PSI Heading (Thickness/Test)
Chime Band Top (F)	.022 Narrow
Chime Band Bottom (E)	.022 Narrow
Closure (G)	Galvanized Steel
Cover Type (H)	26 Ga Steel
Cover - Gasket / Fittings / Diaphragm	None
Additional Construction Information	None
Paint or Skin Color	None
Print Color (Silk Screen)	None
Poly Bag / Bag Option	None
Misc. Treatments	None
Special Instructions	Certificate stamp on sidewall

Issued By	QA and Regulatory Affairs
Issue Date	8/17/2022

NOTE: The drawing above is a representation of the dimensions expressed on the Product Data Sheet and may not be to actual scale.

Kraft paper is subject to change with variances in relative humidity.

Diameters can vary  $\pm 1/16"$ .

Height tolerances can vary  $\pm 1/4"$  per ft. of drum sidewall.

Weight tolerances can vary  $\pm 5\%$ .

All thicknesses and other dimensions are nominal unless otherwise stated.