

# IF YOU...



MIX IT. FILL IT. PACK IT. SHIP IT.

# WE HAVE A PRODUCT FOR YOU



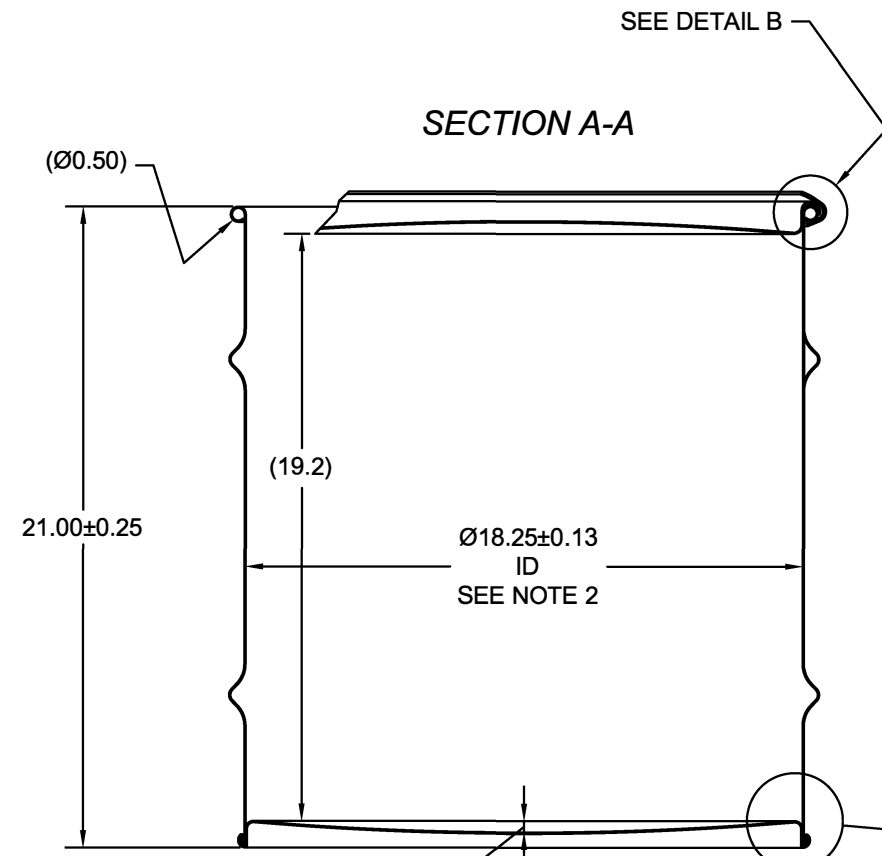
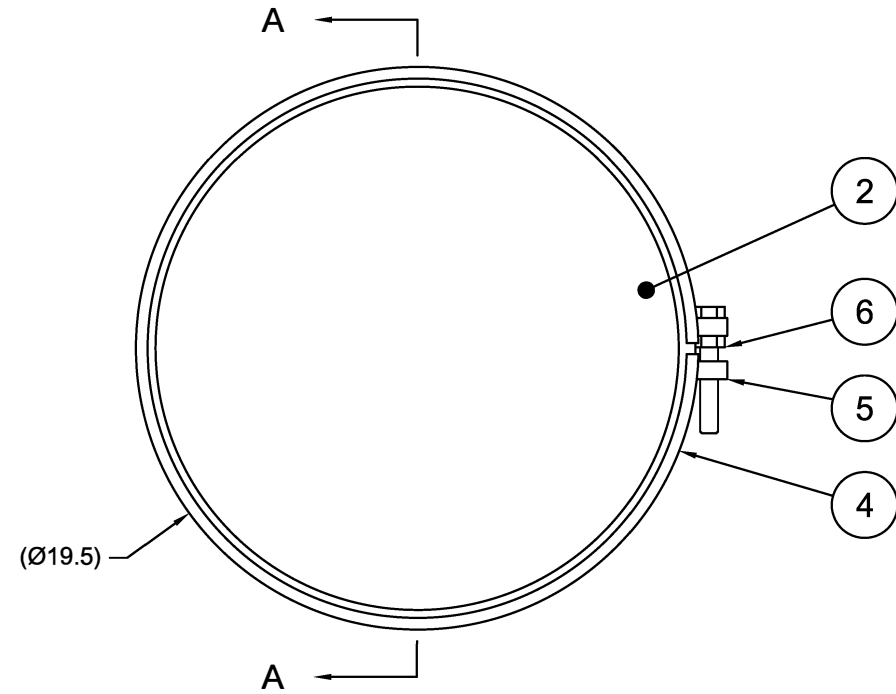
20 Gallon Steel Drum, UN Rated, Cover w/Bolt Ring Closure, 2" & 3/4" Fittings

*Product Category: Open Head Steel Drums*

Part #	26WG20
Capacity	20 gal.
Condition	New
Color	Black w/ White Cover
Material	Carbon Steel
Closure	Cover w/ Bolt Ring Closure
Lining	Rust Inhibitor Enamel
Steel Thickness	1.2/1.2/1.2 (Top/Body/Bottom)
Steel Gauge	18/18/18 (Top/Body/Bottom)
Gasket	EPDM Rubber Gasket
Dimensions	18.25" Dia. x 19.2"H (inside) 18.8" Dia. x 21.5"H (outside)
UN Rating Liquid	UN1A2/Y1.5/100
UN Rating Solid	UN1A2/X220/S

900700

ECN # or INIT	REV	DESCRIPTION	DATE
OE-005	A1	REDRAWN TO AutoCAD	18-AUG-2010
OE-001	A2	CLERICAL ERROR	01-APR-2013
OE-001	A3	ADDED CHIME VIEW	29-APR-2013



**NOTES:**

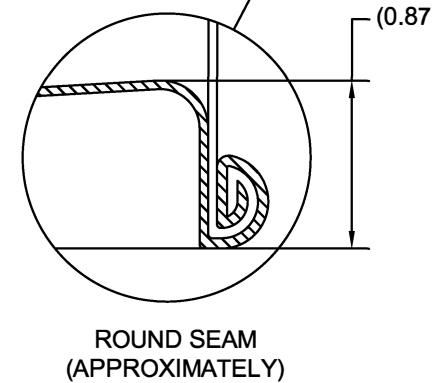
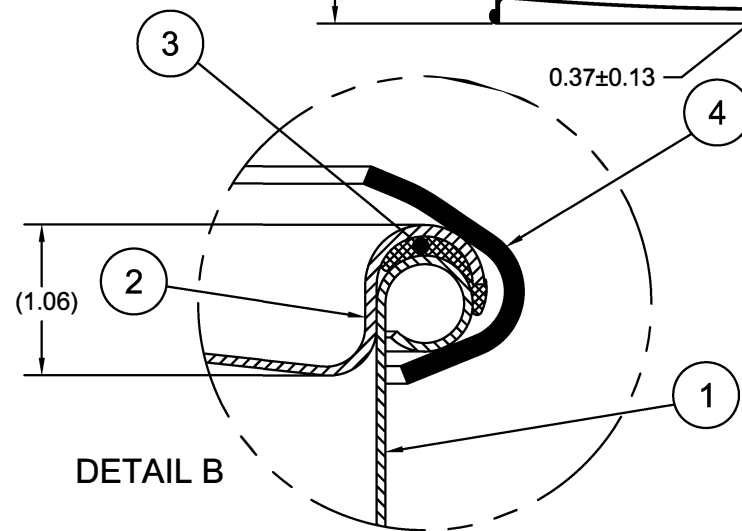
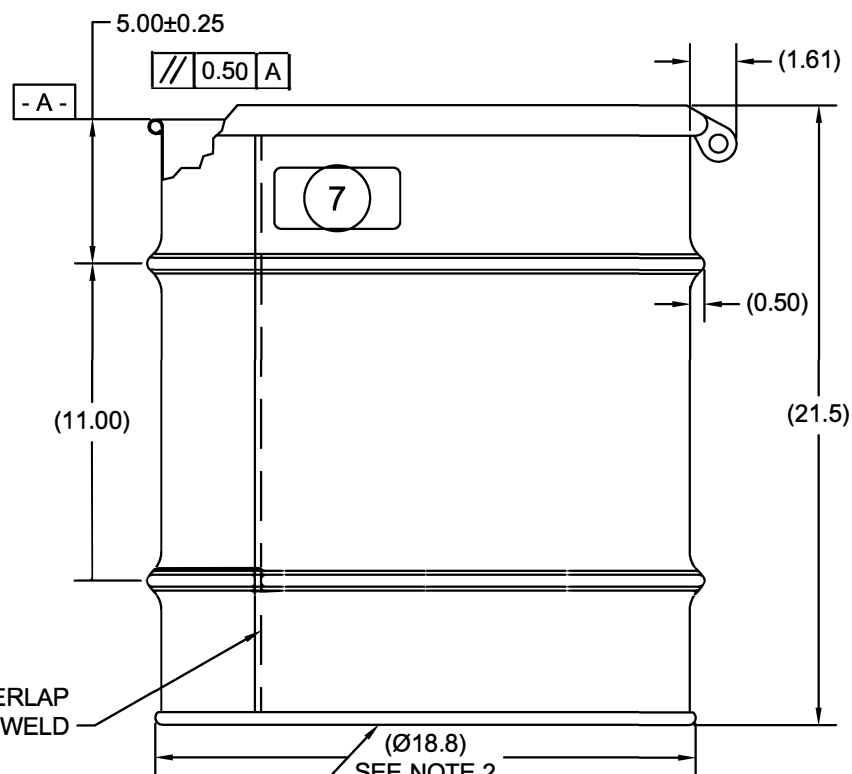
1. THIS DIMENSION REPRESENTS DRUM AFTER BEING PROPERLY ASSEMBLED AND CLOSED PER CLOSING INSTRUCTIONS
2. TO DETERMINE GREATER ACCURACY OF ANY DIAMETRIC DIMENSION, MEASURING OF CIRCUMFERENCE IS REQUIRED
3. CONSTRUCTION per 49 CFR §178.504 (b)

**MATERIAL:**

1. CRCQ CARBON STEEL PER ASTM A1008 AND ASTM A568 OR EQUIVALENT
2. MATERIAL THICKNESS: 1.2mm (0.0433 - 0.0480, 18 GAUGE)
3. GASKET MAT'L PER ASTM D1056

**FINISH:**

1. COVER EXTERIOR PAINTED WHITE (LQ10020)
- BODY/BOTTOM EXTERIOR PAINTED BLACK (LQ10003)



ITEM	ITEM	DESCRIPTION	QTY
7		UN DURABLE LABEL	1
6	NT5800	5/8-11UNC HEX JAM NUT	1
5	BT5840	5/8-11UNC X 4in LONG HEX HEAD BOLT	1
4	RBH1812	BOLT RING (HP) 20-30G 12GA 5/8 LUG	1
3	GE2000	GASKET IN-COVER D EPDM	1
2	P1812	COVER 18.25 ID	1
1		BODY/BOTTOM 20-30 GALLON DRUM 18.25 ID	1

UN NUMBER EMBOSSED ON BOTTOM OF DRUM  
 1/2" CHARACTERS READING:  
 UN/1A2/X220/S/YR  
 UN/1A2/Y1.5/150/YR  
 1.2 \*  
 (YR = YEAR OF MANUFACTURE)

TARE WEIGHT:  
27 lbs

BEST PRINTED ON B-SIZE PAPER

MFG BR	DRW LJT	CHK BL	<b>UNLESS STATED OTHERWISE</b> (DIMENSIONS IN PARENTHESIS ARE FOR REFERENCE ONLY!!!) ALL DIMENSIONS ARE IN INCHES DO NOT SCALE DRAWING TOLERANCES: FRACTIONS ±1/4 X° ± 3° X.X ± 0.2 X.XX ± 0.10 X.XXX ± 0.030
	SLS	QA MD	
	Petersen		
FILE CREATED IN AutoCAD 2002	3 <sup>RD</sup>		

The <b>CARY COMPANY</b> Est. 1895		
DESCRIPTION 20 GALLON OPEN HEAD DRUM 1.2 - 1.2 - 1.2 CRCQ 1A2/X220/S & 1A2/Y1.5/150		
REL. DATE 18-AUG-2010	PART NUM./FILENAME <b>CQ2006</b>	REV <b>A3</b>