

Supplied By:



## Steel Pail Closers

MANUAL CLOSER



The manual Closing Tool is available from 6-1/2" to 13-15/16" diameter. The Tools are made of aluminum alloy for the lighter gauge covers/bodies and steel for the heavier UN gauges.

Semi-Automatic Closing Tools are air operated with a two hand control unit for operator safety.

Sample cover/pail is required for set-up if you are closing UN (20, 22, or 24) gauges.

SEMI-AUTOMATIC STEEL PAIL CLOSER



Heads are interchangeable on this model for closing steel or plastic pails.

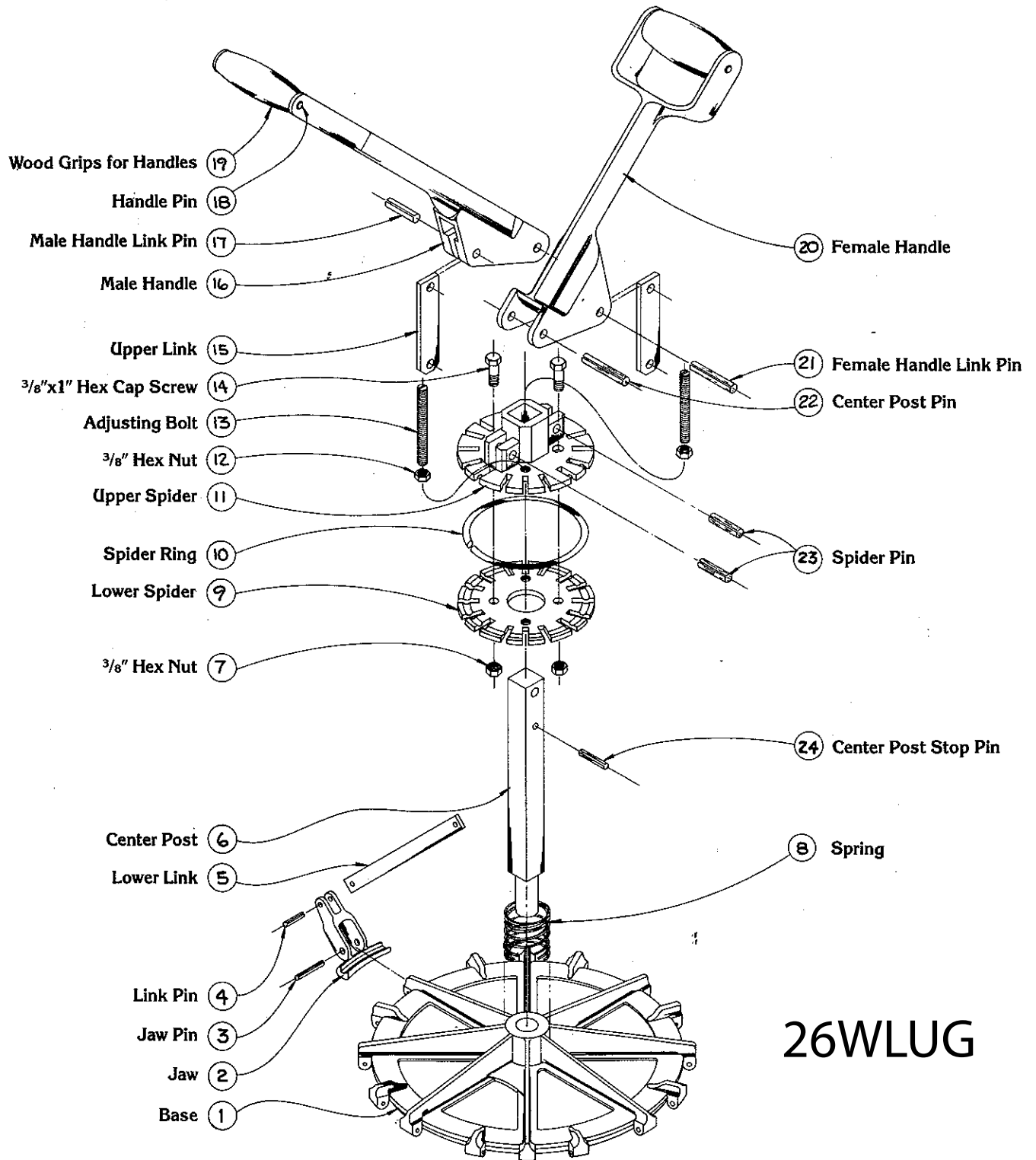
## 26WLUG

This Closer can be mounted on a boom or overhead crane.

BOOM TYPE CLOSER



Supplied By:



26WLUG