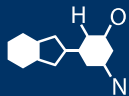
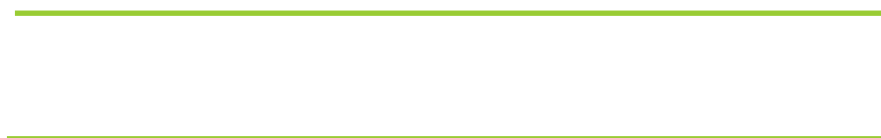


# IF YOU...



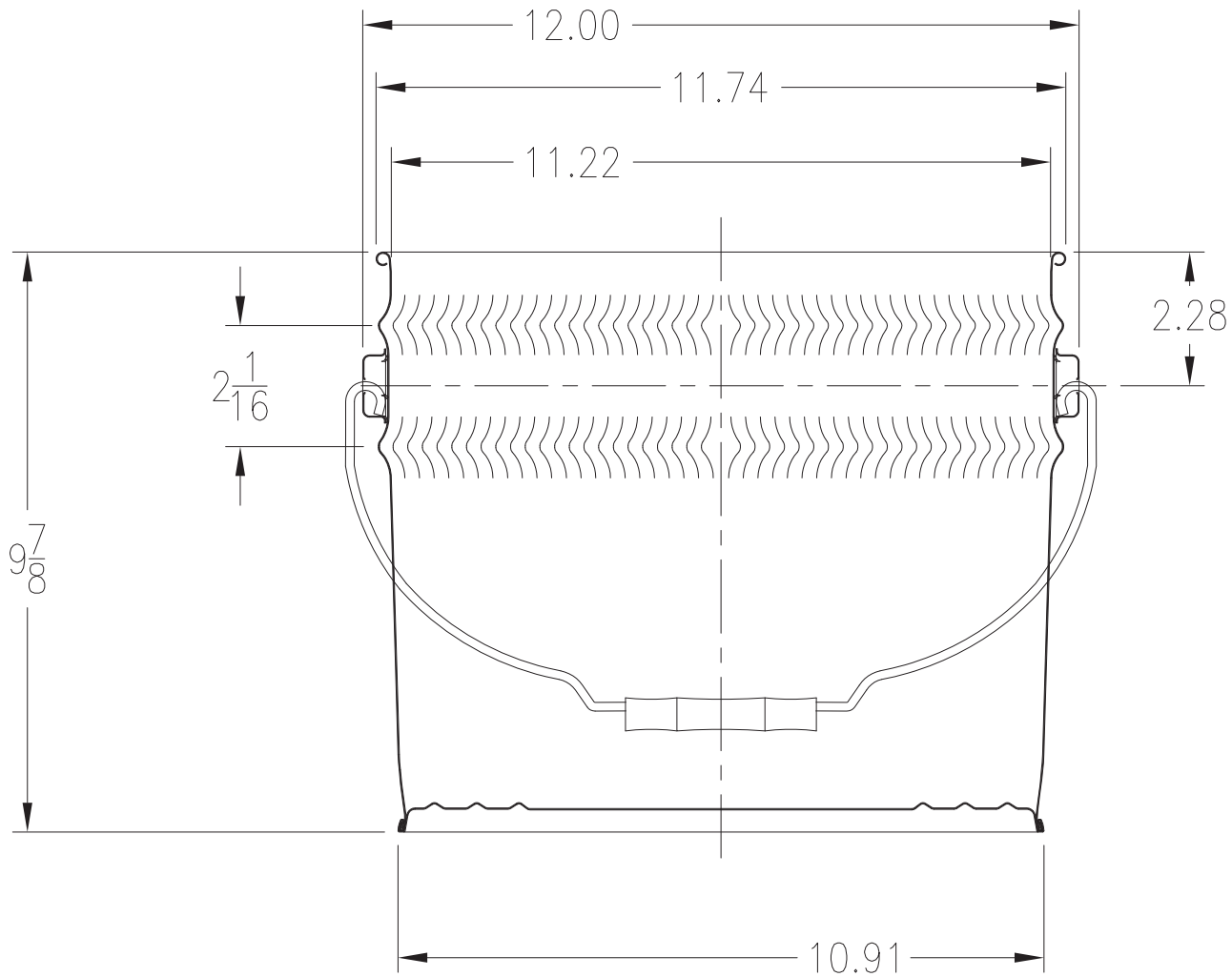
MIX IT. FILL IT. PACK IT. SHIP IT.

# WE HAVE A PRODUCT FOR YOU



Part #	26WM3L
Capacity	3.5 gal.
Color	Gray
Material	Steel
Closure	Lug Cover
Lining	Epoxy Phenolic Lining
Steel Gauge	24/26/26 (Top/Body/Bottom)
Pallet Pack	120 ea.
UN Rating Liquid	UN1A2/Y1.5/100





NOTE  
 PAILS ARE AVAILABLE IN STANDARD AND U.N. CERTIFIED.



PH 630-629-6600 - FX 630-629-3690  
 1195 W. FULLERTON AVE. - ADDISON, IL 60101  
 WWW.THECARYCOMPANY.COM

11-1/4" DIAMETER - 3.5 GALLON  
 OPEN HEAD 2-1/16" DOUBLE BEAD  
 TAPERED PAIL

DRAWN BY:	SCALE	REV. BY	NO.	DATE	REVISION DESCRIPTION
J.Z	~				
CHECKED BY:	DATE				
	8-20-12				

APPROVED BY:	LOCATION CHICAGO	SUPERCEDES	MATERIAL	PRINT NO. PD350-5-007	REV.
--------------	---------------------	------------	----------	--------------------------	------