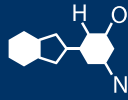


IF YOU...



MIX IT. FILL IT. PACK IT. SHIP IT.

WE HAVE A **PRODUCT** FOR YOU

Part #26WM6T

Tight Head Steel Drums

16 Gallon Tight Head Steel Drum, UN Rated,
2" & 3/4" Fittings, Epoxy Lined



The
CARYCOMPANY
Est. 1895

1195 W. Fullerton Ave. | Addison, IL 60101 | T: 630.629.6600 | F: 630.629.3690 | TheCaryCompany.com

PRODUCT DEFINITION SHEET

Rev. Date: November 14, 2023

Rev.: 0

Drum Code: 18300F111111L018		Cust. Rev.:
Description: 30 Gallon Double Seam Steel Open Head Drum 2 Rolling Hoops		

Dimensions:

A: Fitting Centers: 12-3/4"
 B: Outside Diameter: 19-3/16" ± 1/16"
 C: Inside Diameter: 18-1/4" ± 1/16"
 D: Height: 29-1/4" ± 1/8"
 Weight: 31 Lbs. ± 3%

Material:

Head: 1.1 mm CRCQ Steel
 Body: 1.1 mm CRCQ Steel
 Bottom: 1.1 mm CRCQ Steel
 *All Steel tolerances conform to ISO3574

Head Fittings:

Flanges: 2" + 3/4" Lined Steel T-Type with EPDM
 Plugs: 2" + 3/4" Lined Steel T-Type with EPDM
 Capsesals: None

Closing Ring:

Ring: 12 GA Solid Seal
 Bolt: 5/8"x4" Nylok
 Gasket: 5/16" Sponge

Interior:

Coating: Universal Mocha
 Clean, Dry

Exterior:

Top: 201 White
 A Panel: 701 Black
 B Panel: 701 Black
 C Panel: 701 Black
 Bottom: 701 Black

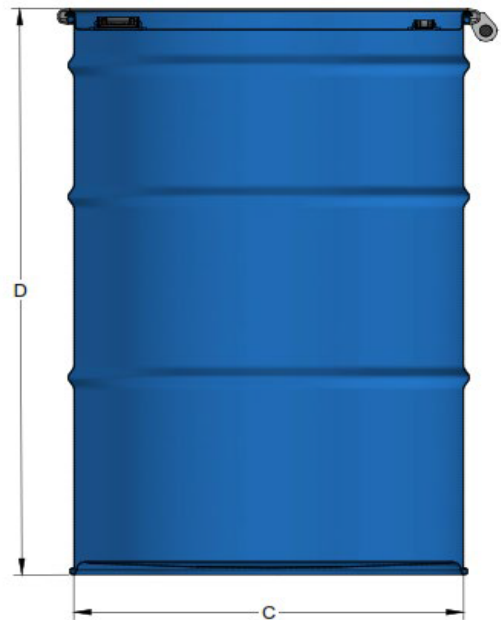
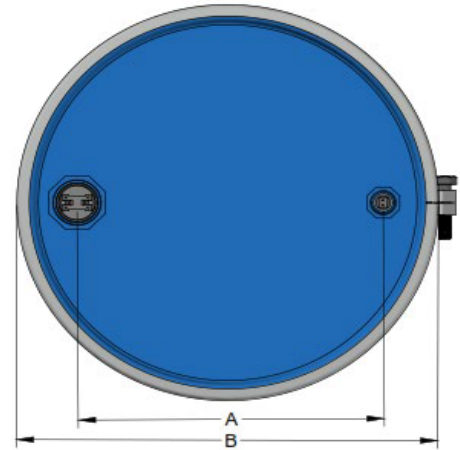
Embossing:

UN 1A2
 Y1.5/100
 1.1
 YR

Markings:

Silkscreen: None
 Inkjet: UN 1A2/Y1.5/100
 YR/USA/M4453
 Julian Date Drum Number

Special Instructions:



Notes: The photo shown above may or may not be identical to the description given above.