

IF YOU...



MIX IT. FILL IT. PACK IT. SHIP IT.

WE HAVE A PRODUCT FOR YOU

Part #26WMA6

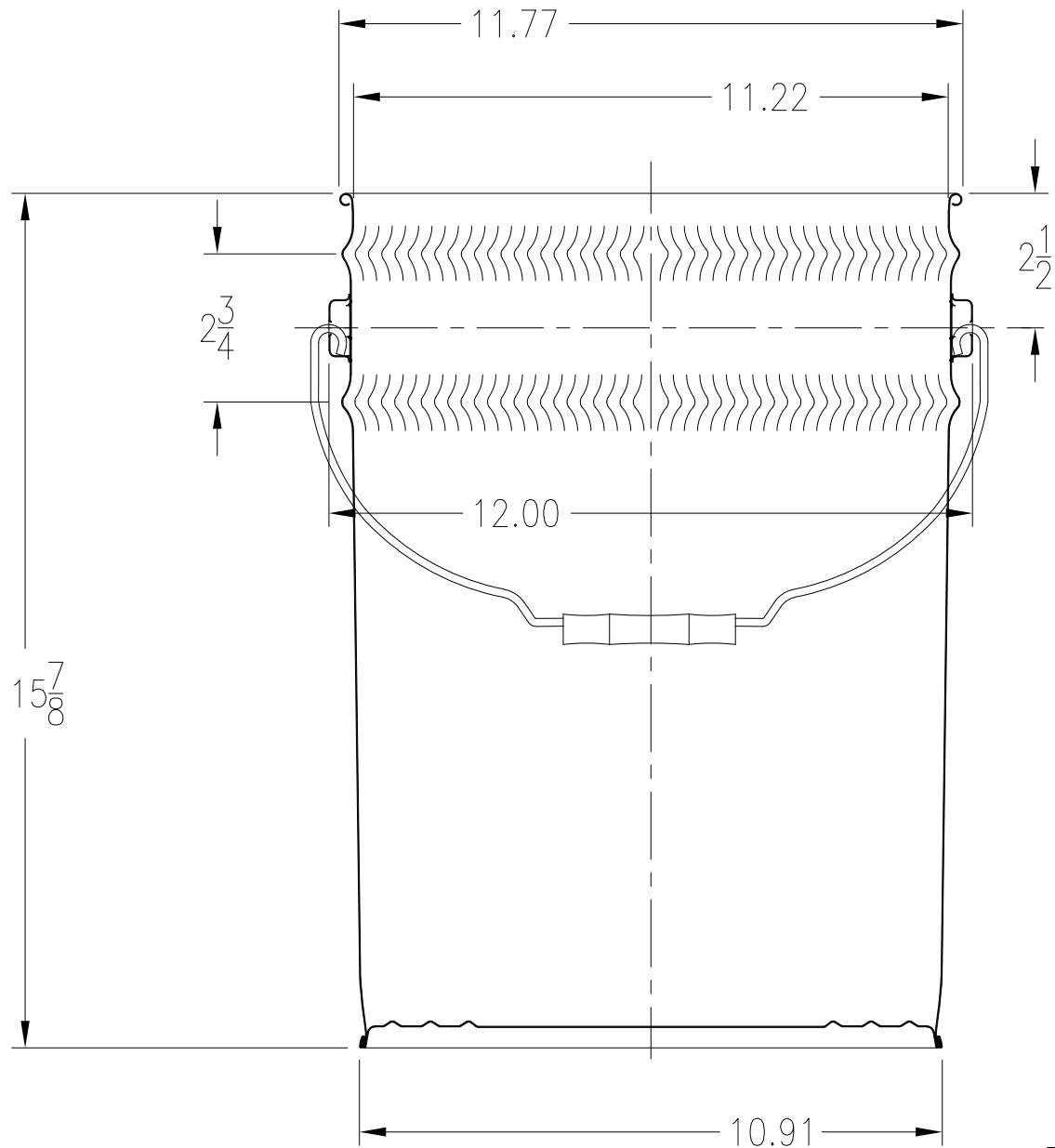
Open Head Steel Pails

6 Gallon Gray Open Head Steel Pail (24 Gauge), UN Rated,
Epoxy Phenolic Lining



The
CARYCOMPANY
Est. 1895

1195 W. Fullerton Ave. | Addison, IL 60101 | T: 630.629.6600 | F: 630.629.3690 | TheCaryCompany.com



EARS & BAILS ARE OPTIONAL

The **CARY COMPANY** Est. 1895

11-1/4" DIAMETER - 6 GALLON
 OPEN HEAD 2-3/4" DOUBLE BEAD
 TAPERED PAIL

SUPERCEDES	MATERIAL	PRINT NO.	REV.
6188		PD600-5-004	

NOTE
 PAILS ARE AVAILABLE IN STANDARD AND U.N. CERTIFIED.

DRAWN BY:	SCALE	REV. BY	NO.	DATE	REVISION DESCRIPTION
J.Z	~				
CHECKED BY:	DATE				
	9-27-17				
APPROVED BY:					