

# IF YOU...



MIX IT. FILL IT. PACK IT. SHIP IT.

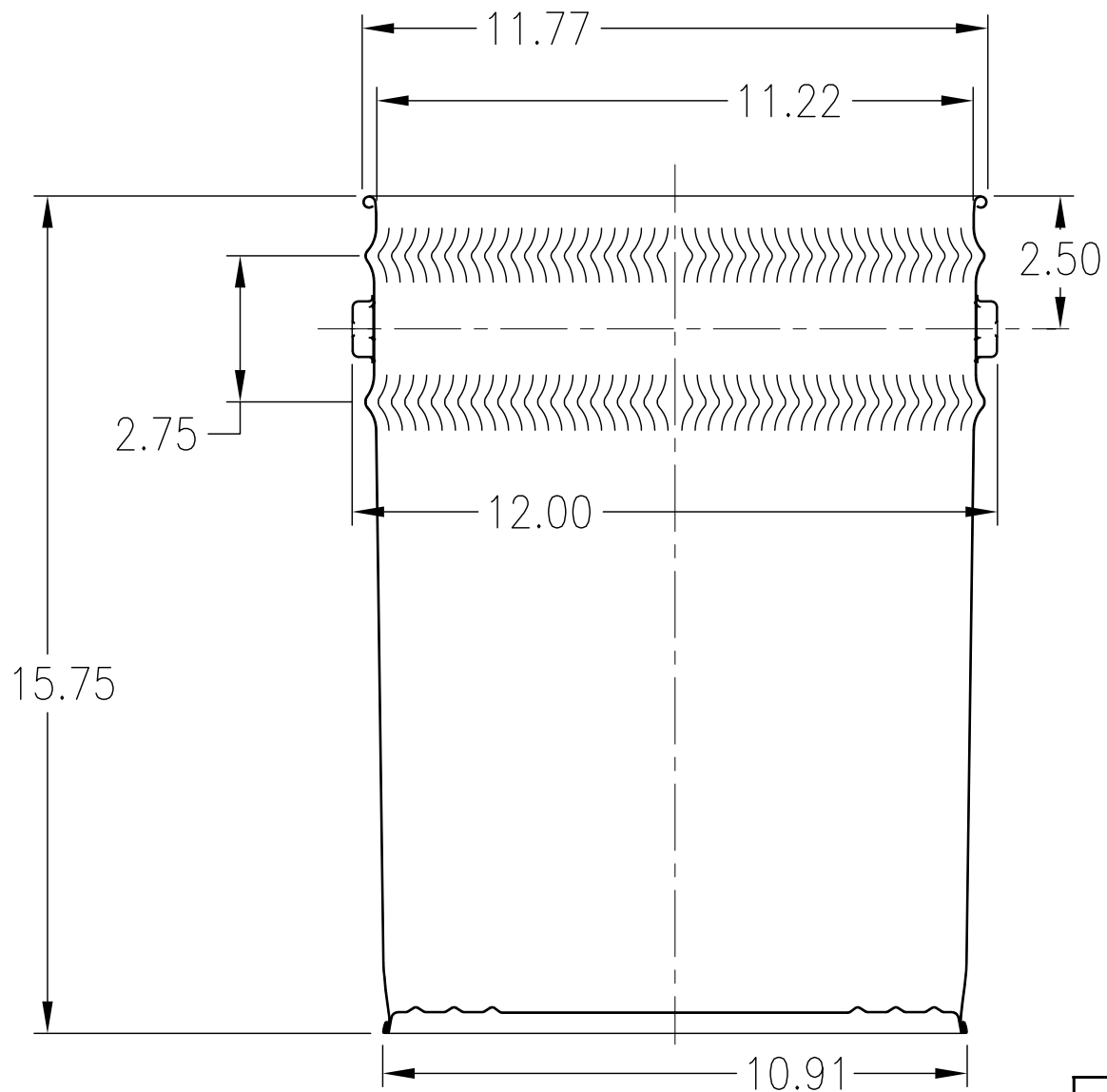
# WE HAVE A PRODUCT FOR YOU

Part # 26WML6

---

---





EARS ARE OPTIONAL

NOTE  
 PAILS ARE AVAILABLE IN STANDARD AND U.N. CERTIFIED.

The  
**CARY COMPANY**  
 Est. 1895

11-1/4" DIAMETER - 6 GALLON  
 OPEN HEAD 2-3/4" DOUBLE BEAD  
 TAPERED PAIL

DRAWN BY:	SCALE	REV. BY	NO.	DATE	REVISION DESCRIPTION
J.Z	~				
CHECKED BY:	DATE				
	6-15-2011				

APPROVED BY:		LOCATION CHICAGO	SUPERCEDES 6188	MATERIAL	PRINT NO.	REV.
--------------	--	---------------------	--------------------	----------	-----------	------