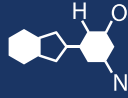


IF YOU...



MIX IT. FILL IT. PACK IT. SHIP IT.

WE HAVE A **PRODUCT** FOR YOU

Part # 26WN2H

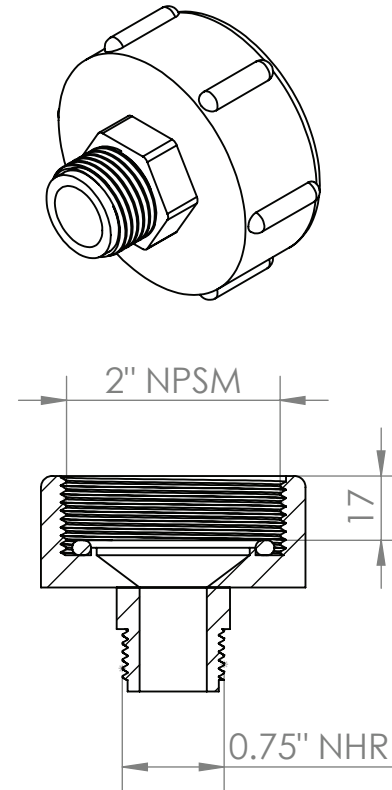
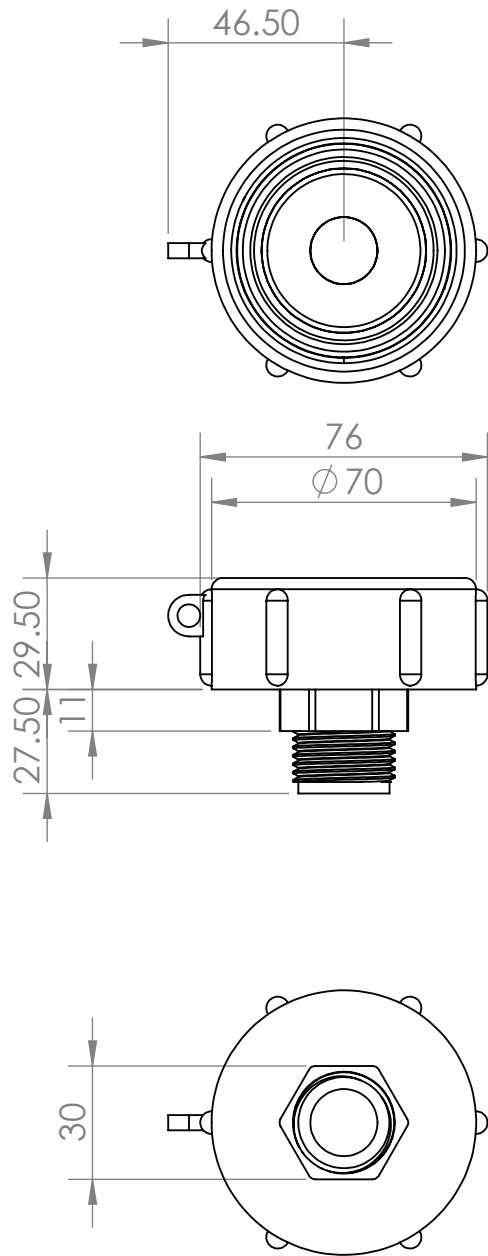
Industrial Caps

2" Female NPT with Gasket to 3/4" NHR
Garden Hose Adapter



The
CARYCOMPANY
Est. 1895

1195 W. Fullerton Ave. | Addison, IL 60101 | T: 630.629.6600 | F: 630.629.3690 | TheCaryCompany.com



SECTION A-A

TOLERANCES UNLESS OTHERWISE STATED:		INIT.	DATE	DO NOT SCALE DRAWING	
X	±0.2	ANGLE	±0.5°		
X.X	±0.1	HOLE	+0.1 -0.0		
X.XX	±0.05				
X.XXX	±0.005				
THIRD ANGLE PROJECTION		DRAWN BY	SY	15/01/2020	
		CHECKED BY	JT	15/01/2020	
		APPROVED BY	JT	15/01/2020	
MATERIAL:		PROJECT NO:		DESCRIPTION:	
GC20PP		IBC Adapters		2" NPS Female - 0.75" NHR Male	
FINISH:		REVISION:		PART NO:	
Material		01		HMFNHR/7520M/027	
				A4	
ALL DIMS IN MM UNLESS OTHERWISE STATED		WEIGHT: 61.304g		SCALE: 1:2	
				SHEET 1 OF 1	