

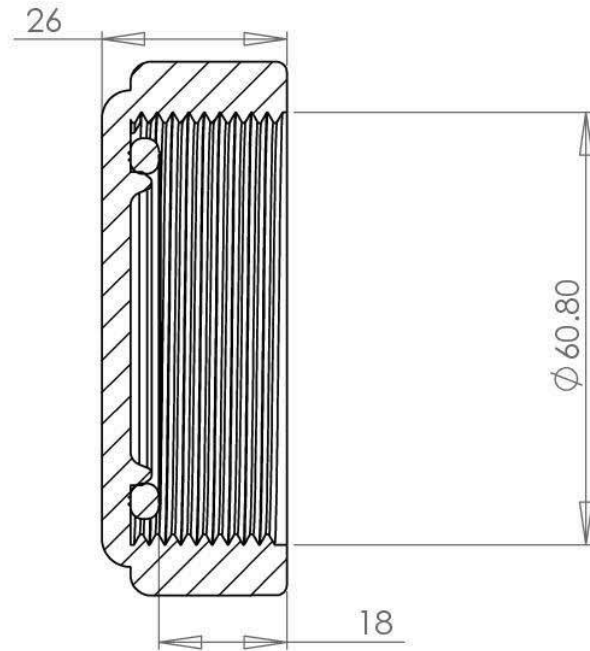
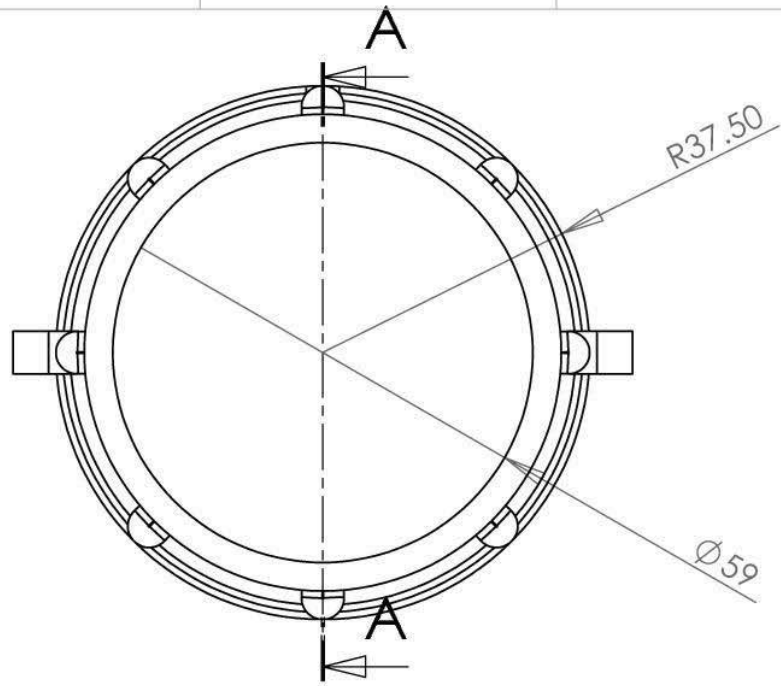
Part#: 26WNDC



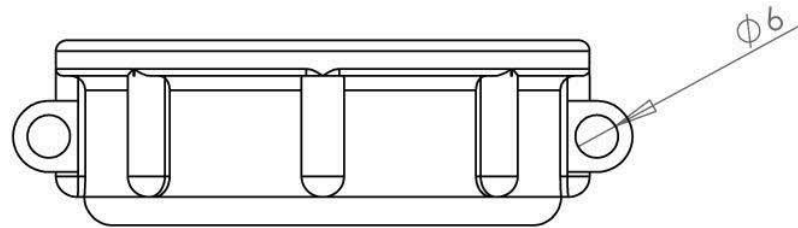
2" NPT Fine Threaded Dust Cap for NPT Valves on Totes



Supplied By: **The Cary Company**
Ph: 630-629-6600
www.thecarycompany.com



SECTION A-A



UNLESS OTHERWISE SPECIFIED:
 DIMENSIONS ARE IN MILLIMETERS
 SURFACE FINISH:
 TOLERANCES:
 LINEAR:
 ANGULAR:

FINISH:

DEBUR AND
 BREAK SHARP
 EDGES

DO NOT SCALE DRAWING

REVISION

| | NAME | SIGNATURE | DATE |
|--------|----------------|-----------|------------|
| DRAWN | JULIAN TROUGHT | | 23.06.2003 |
| CHK'D | | | |
| APPV'D | | | |
| MFG | | | |
| Q.A. | | | |

TITLE:

2" NPT Female Dust Cap PP Blk



Supplied By: **The Cary Company**
 Ph: 630-629-6600
 www.thecarycompany.com

MATERIAL:
 POLYPROPYLENE

26WVDC

A4

WEIGHT:

SCALE:1:1

SHEET 1 OF 1