

IF YOU...



MIX IT. FILL IT. PACK IT. SHIP IT.

WE HAVE A PRODUCT FOR YOU



Part #	26WPN2
Neck Width	2"
Gasket	EPDM Rubber Gasket
Drum Type	Steel Drums
Thread	ISO-228
Color	Natural
Material	Nylon
Case Pack	500 ea.
Pallet Pack	36,000 ea. (72 Cases)

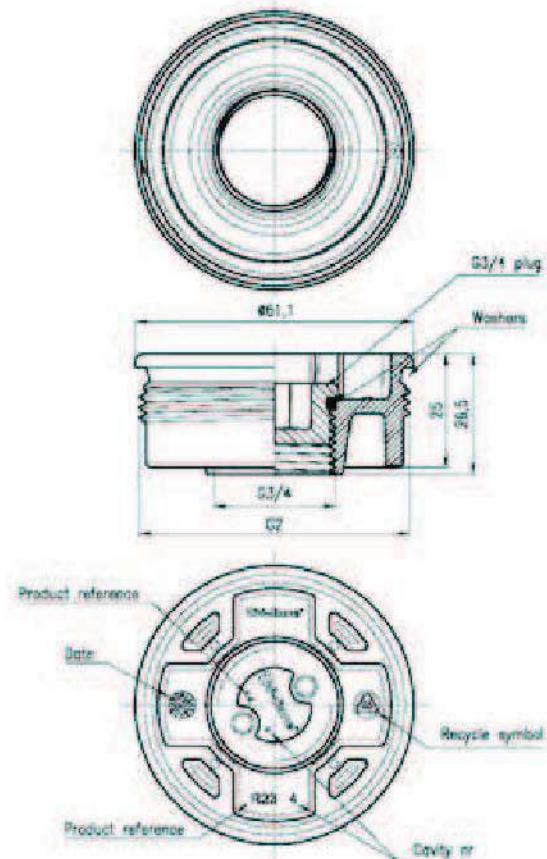
G2 (50mm) NYLON skirt- type Tri-Sure® Plastic Plug (P4S) EPDM white -Washer/Gasket G¾ Center hole G¾ plug Virgin

General information

- Manufactured in compliance with ISO-15750-3
- G-Type plug (Standard) - with skirt
- Rawmaterial: NYLON
- G2 (50mm) / the thread is ISO-228 compatible
- EPDM white -Washer/Gasket: White EPDM is a muly purpose sealing material with good physical and excellent chemical properties.EPDM is FDA compliant. As plug washer/gasket it is not recommended for applications involving petroleum derivatives.
- Plug with G¾ Center-hole and G¾ plug
- Plug material colour: Virgin

Packaging information

- Component weight (grams): 37
 - Box Quantity: 500
 - Box weight (kg)*: 18
 - Pallet Quantity: 1000
 - Pallet weight (kg)*: 52
- (* = approximate grossweight)



Material: NYLON

Finish:

26WPN2

Comments

- Food Packaging Regulations: The raw materials used are in compliance with §177.1520 of the FDA: Olefin polymers.
- For the correct application of our products general information is available on our website www.Tri-Sure.com
- Accessories such as hand spanners and adaptors for torque wrenches are available
- G2 & G¾ Tri-Sure® plastic plug is FM compliant (US-2001 NFPA-30) and as such a fusible closure for steel drums containing flammable liquids
- Only plastic cap seals are permitted over the fusible closures. Metal cap seals are Not Allowed!



Supplied By: **The Cary Company**

Ph: 630-629-6600

www.thecarycompany.com