

Part#: 26WRIC



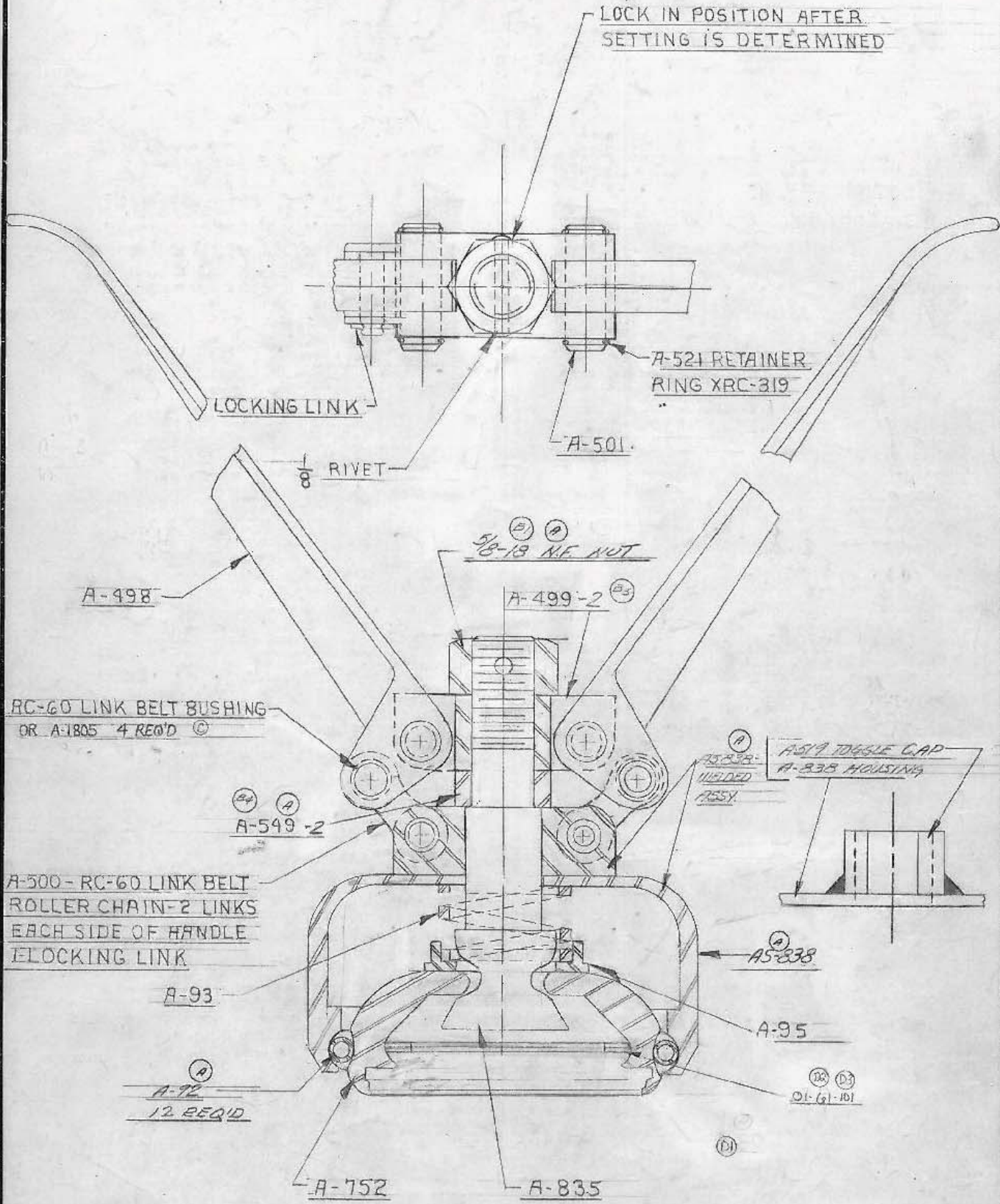
Cary Part#
26WRIC

Description
Rieke® FS-600 FLEXSPOUT® Crimping Tool

For Use On
Rieke® Flexspouts®



Supplied By: **The Cary Company**
Ph: 630-629-6600
www.thecarycompany.com



BREAK ALL SHARP EDGES WITH $\frac{1}{64}$ " R. UNLESS OTHERWISE SPECIFIED

THE FOLLOWING TOLERANCES APPLY UNLESS OTHERWISE SPECIFIED

ANGLES	$\pm \frac{1}{4}^\circ$
FRACTIONS	$\pm \frac{1}{100}$ "
DECIMALS	$\pm .002$

DATE 12/23/53

DRAWN M.H.

CHECKED M.H.

APPROVED

SCALE FULL

CHANGE No.	CHANGE	DATE	BY
D	REMOVED 1) A-500 2) A-811 3) ADDED RIVET # OI-61-101	4/27/60	REH
A	ADDED A-1805	2-19-50	ANA
B	3) ADDED A-549-2 4) ADDED A-500 5) ADDED A-208 6) ADDED A-208 7) ADDED A-208 8) ADDED A-208 9) ADDED A-208 10) ADDED A-208 11) ADDED A-208 12) ADDED A-208	5-22-59	REH
A	ADDED 1/8" RIVET & CLAMPED PARTS	2-9-56	REH

DETAIL NAME FLEXSPOUT CRIMP TOOL

Supplied By: The Cary Company
 Ph: 630-629-6600
 www.thecarycompany.com