

Part#: 26WRIF



Rieke® G-10 VISGEGRIP® Crimping Tool

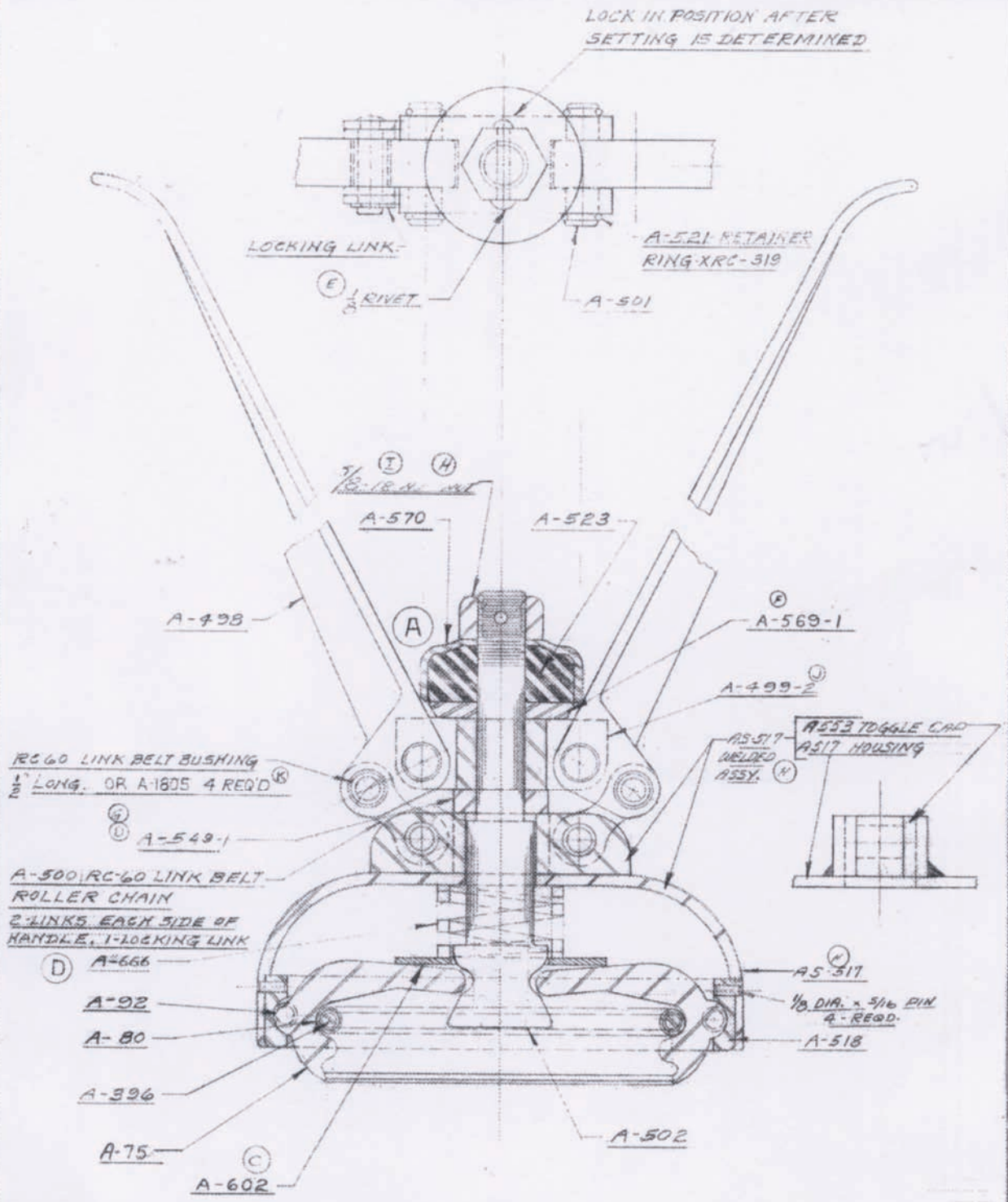
For use on 2" Rieke® Metal Visegrip® & Plastic Safeseal® Capseals



Supplied By: **The Cary Company**

Ph: 630-629-6600

www.thecarycompany.com



K	ADDED A1805	2-19-55	AMB
J	WAS A-499	10-21-54	WLS
I	WAS TR-60 A-500	12-10-54	AMB
H	CHARITED DET. N54 RYND PURCHASED PTC. LIST# WELDING NOTE	2-2-55	AMB
G	WAS A-549	10-21-54	WLS
F	WAS A-569	11-14-57	WLS
E	WAS COTTER KEY	3-13-56	WLS
D	WAS 520 AND 93	7-2-51	WLS
C	Added Detail # 602	9-12-50	KLS
B	Added some PARTS PURCH.	8-7-50	KLS
A	REDESIGNED CUSHIN	7-7-50	KLS
CHANGE NO.	CHANGE	DATE	BY



Supplied By: **The Cary Company**
 Ph: 630-629-6600
 www.thecarycompany.com

RIEKE METAL PRODUCTS CORP. - MOUNTAIN, IND.
 MAKE CRIMPING TOOL 2" CAP SEAL ASSEM.

TEMPER: _____
 CHECKED: GAH 3-16-50
 APPROVED: WLS
 FILE NO: G-10
 41000030