

Part#: 26WRPP



26WRPP - Rieke® MR50-5 Pail Pump

Rieke® MR50-5 Pail Pump

MR50-5 comes with a special adapter for use with 5-gallon pail equipped with a Rieke® FLEXSPOUT® and fits 3/4" and 2" standard threaded drum openings.

The MR50-5 pump dispenses eight ounces and can be adjusted to dispense 2, 4, or 6 ounces with special restrictor clips enclosed with each pump.

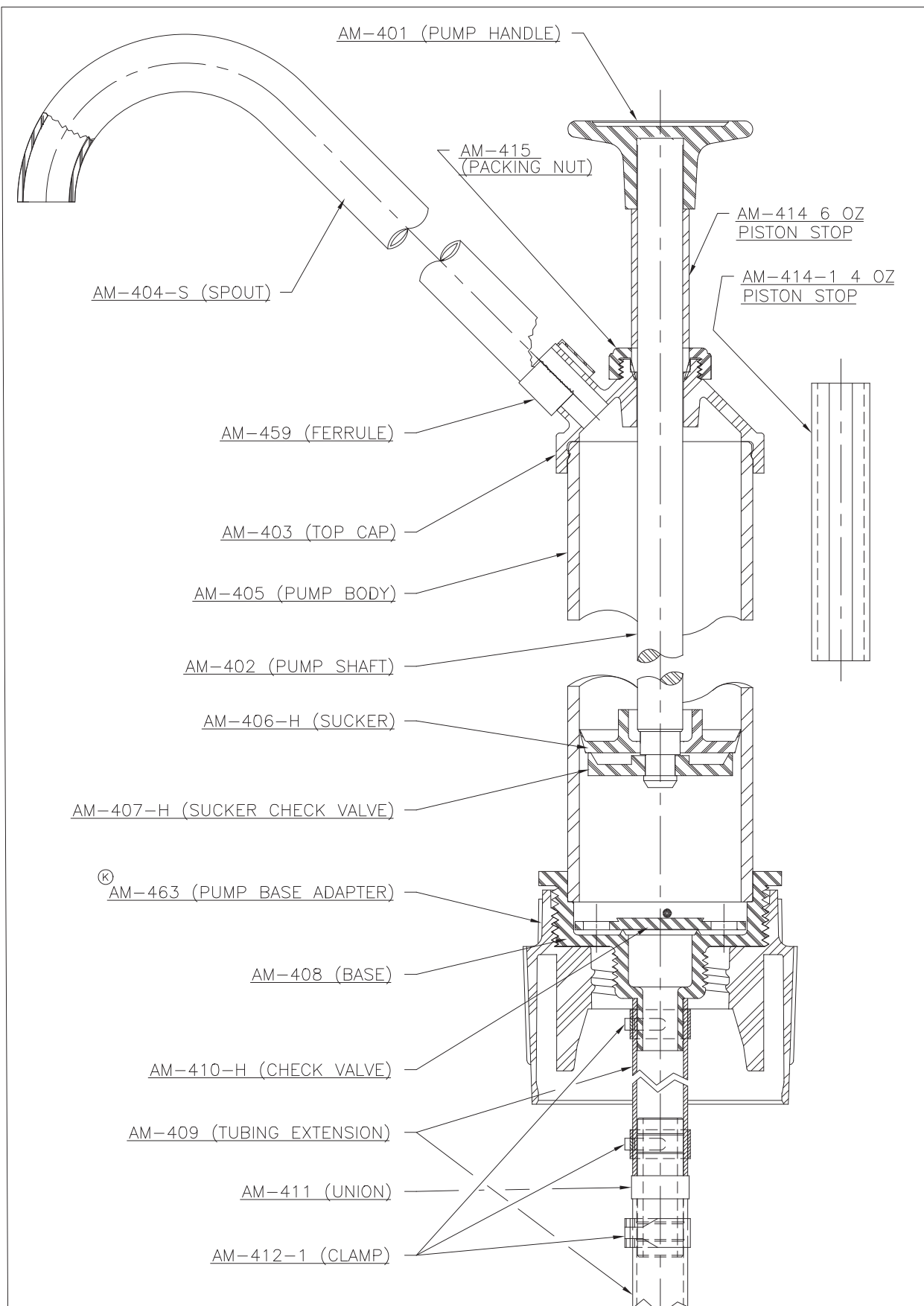
Please Note: If you are putting this on a Rieke Flexspout II you will also need Part#30WFSA - FS-4038 Pump Adapter



Supplied By: **The Cary Company**

Ph: 630-629-6600

www.thecarycompany.com



NOTE: THIS MEETS FDA REQUIREMENTS
DEPENDING ON COLOR

BREAK ALL SHARP EDGES WITH 1/64" RADIUS. UNLESS OTHERWISE SPECIFIED THE FOLLOWING TOLERANCES APPLY UNLESS OTHERWISE SPECIFIED: ANGLES ±1/4" HUNDRETH ±.015 THOUSANDTH ±.002	DATE	DRAWN BY	Supplied By: The Cary Company Ph: 630-629-6600 www.thecarycompany.com				DETAIL NAME	
	5/27/93	W.G.MILES					ASS'Y, PLASTIC, DRUM/PAIL PUMP	
	SCALE	CHECKED	PRODUCT		TOOL ASSY. NAME			
	NTS	KLH	DRAWING NUMBER		28000226			
	APPROVED	K	WAS AM-416	2-21-97	JLH	FOR		
		J	REDRAWN ON CAD	5/27/93	WGM	DETAIL NUMBER		
	CHANCEP					MP50 5		
		NUMBER	CHANGE	DATE	BY			



Supplied By: **The Cary Company**

Ph: 630-629-6600

www.thecarycompany.com

PARAMETERS	SPECIFICATION	TEST METHOD
Material of construction	Polyethylene, polypropylene, mild steel.	COA
Standard Color (other colors available upon request)	Gray	QC Spec Visual
Nominal dimensions in inches (mm)		QC Spec Variable/Attribute Gauge
Opening Print Drawing Number	Rev:	
Special markings		
Accessories		
Applied torque		QC Spec Torque Wrench
Method of delivery	12 single boxes /carton - ~ 12 lbs. gross/carton - 18 cartons/pallet	
Components	Plastic pump	Drawing No. 28000226 Rev: K