

IF YOU...

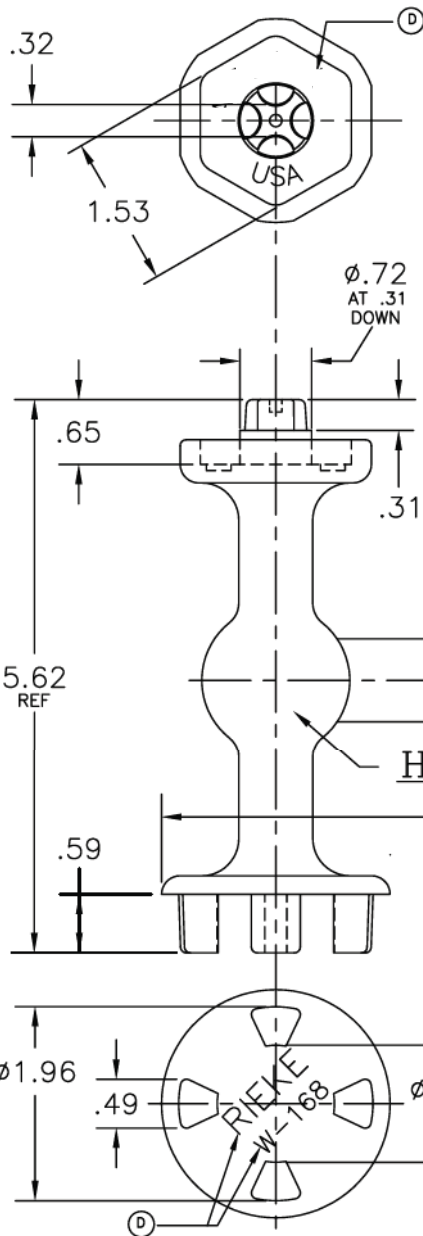


MIX IT. FILL IT. PACK IT. SHIP IT.

WE HAVE A PRODUCT FOR YOU



Part #	26WSPS
Color	Blue
Material	Bronze
Fits Plug Type	Rieke POLY-VERSEGRIP Steel/Zinc, Rieke VISEGRIP II Steel, Zinc
Fits Gasket Type	Poly-Irradiated Gasket, POLYSEAL Gasket
Sparkless	Yes



DETAIL #	COLOR	HEAD MATERIAL	HANDLE	TORQUE +15%/-10% (FT-LBS)	"A" ±.25
W0168	GREEN	CAST IRON	PIPE	----	13.75
*W0168-01	BLACK	CAST IRON	PIPE	----	13.75
*W0168-01PT-01	YELLOW	CAST IRON	PRESET TORQUE W/RUBBER	20/9	14.50
*W0168-01PT-02	RED	CAST IRON	PRESET TORQUE W/RUBBER	30/15	14.50
W0168-PT-01	YELLOW	CAST IRON	PRESET TORQUE W/RUBBER	20/9	14.50
W0168-PT-02	RED	CAST IRON	PRESET TORQUE W/RUBBER	30/15	14.50
W0168-PT-03	BLUE	CAST IRON	PRESET TORQUE W/RUBBER	40/20	14.50
W0168-PT-04	BLACK	CAST IRON	PRESET TORQUE W/RUBBER	9/5	14.50
W0168-R	GREEN	CAST IRON	PIPE W/RUBBER	----	14.00
W0168-S	BRONZE/BLACK	BRONZE SPARKLESS	PIPE, TAPED	----	13.50
W0168-SPT-01	BRONZE/BLACK	BRONZE SPARKLESS	PRESET TORQUE TAPED W/RUBBER	20/9	14.25
W0168-SPT-02	BRONZE/BLACK	BRONZE SPARKLESS	PRESET TORQUE TAPED W/RUBBER	30/15	14.25
W0168-SPT-03	BRONZE/BLACK	BRONZE SPARKLESS	PRESET TORQUE TAPED W/RUBBER	40/20	14.25

HEAD

HANDLE

"A"

3/4" PLUGS	2" PLUGS	
PPA-10-2	PPA-51	PPA-57-B-5
PPA-11	PPA-53	PPN-51
PPN-11	PPA-53-B-5	PPN-51-F
PPN-11-F	PPA-55	S-250
S-200	PPA-56	
	PPA-57	

* = SPECIAL FOR 2"
PLASTIC PLUGS WITH
3/4" PLUG INSTALLED

CUSTOMER DRAWING

BREAK ALL SHARP EDGES WITH 1/64" RADIUS, UNLESS OTHERWISE SPECIFIED

THE FOLLOWING TOLERANCES APPLY UNLESS OTHERWISE SPECIFIED:

ANGLES	±1/4°
HUNDRETH	±.015
THOUSANDTH	±.002

DATE
1/12/94


SCALE
1.00

N.T.S.

DRAWN BY
BNY

CHECKED
BJM

APPROVED

 Supplied By: The Cary Company Ph: 630-629-6600 www.thecarycompany.com			
D	REALIGN "RIEKE & W-168" REVISE TO "IN"	11/29/10	SLC
C	Added W0168-PT-04	10/2/03	MeS
B	WAS "B" SIZE, ADD DIM, CHARTED ALL W0168 & PLUGS	3-8-00	JLH
CHANGE NUMBER	CHANGE	DATE	BY

DETAIL NAME WRENCH	
TOOL ASSY. NAME PRONG STYLE WRENCH	
PRODUCT 3/4 & 2" PLUGS	TOOL ASS'Y NUMBER
DRAWING NUMBER 24000049	
FOR	DETAIL NUMBER
MATERIAL SEE CHART	TEMPER
SEE CHART	