

# Part#: 26WST2



## **2" White SAMBA® All-Plastic Capseal**

The SAMBA® All-Plastic Cap Seals provide positive tamper evident protection without the use of tools, and are available in 3/4" (Part# 26WST3) and 2" (Part# 26WST2) sizes.



Supplied By: **The Cary Company**

Ph: 630-629-6600

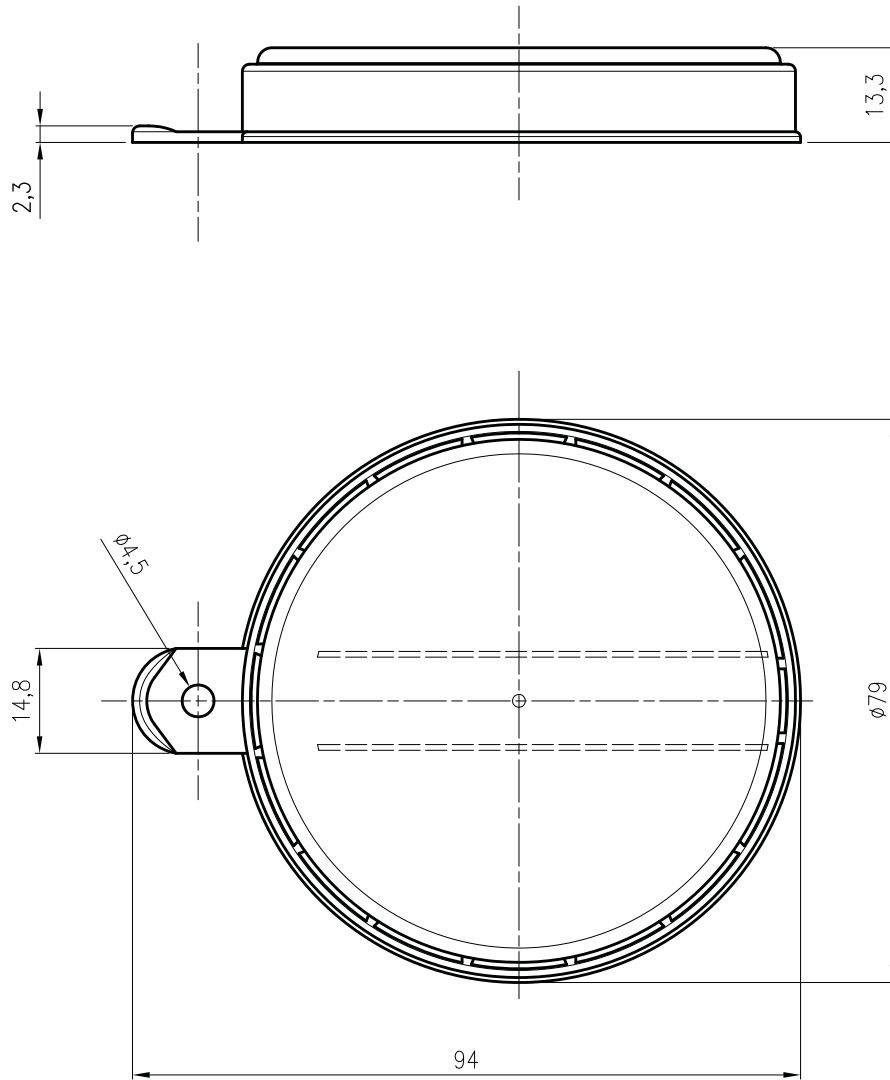
[www.thecarycompany.com](http://www.thecarycompany.com)



Supplied By: **The Cary Company**

Ph: 630-629-6600

www.thecarycompany.com



1	2" SambaCap (TM) cap	SambaCap (TM)	LLDPE	White		
Qty	Description	Product reference	Material	Std colour		
Drawn: <b>Sebastien Ledemenev</b>		Title: <b>G2 SambaCap (TM) plastic cap</b>				
Checked: <b>Eric Lecordier</b>						
Passed: <b>Tom Palmer</b>						
		Customer Drawing: <b>TSF-505040</b>	Rev: <b>1</b>	Date Released: <b>19-01-2006</b>	Scale: <b>1:1</b>	Size: <b>A4</b>
This drawing is our property and is confidential. It must not be copied or shown to third parties. Printed versions are uncontrolled.						