

Part#: 26WST3



3/4" White SAMBA® All-Plastic Capseal

The SAMBA® All-Plastic Cap Seals provide positive tamper evident protection without the use of tools, and are available in 3/4" (Part# 26WST3) and 2" (Part# 26WST2) sizes.



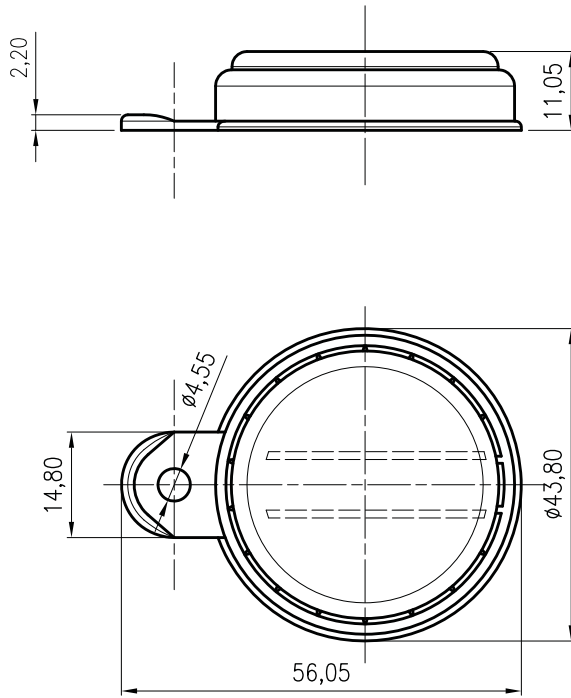
Supplied By: **The Cary Company**

Ph: 630-629-6600

www.thecarycompany.com



Supplied By: **The Cary Company**
 Ph: 630-629-6600
 www.thecarycompany.com



1	3/4" SambaCap (TM) cap	SambaCap (TM)	LLDPE	White		
Qty	Description	Product reference	Material	Std colour		
Drawn: Michel Boulange		Title: G3/4 SambaCap(TM) plastic cap				
Checked: Eric Lecordier						
Passed: Tom Palmer						
		Customer Drawing: TSF-505041	Rev: 1	Date Released: 14-08-2006	Scale: 1:1	Size: A4
This drawing is our property and is confidential. It must not be copied or shown to third parties. Printed versions are uncontrolled.						