

IF YOU...



MIX IT. FILL IT. PACK IT. SHIP IT.

WE HAVE A PRODUCT FOR YOU



Part #

26WSTP

Color

Silver

Material

Stainless Steel (304)



Operating Instructions & Parts Manual for Model THP-ST 26BSTP

This pump is designed to fit 15, 30 & 55 gallon drums with a 2" female NPT threaded opening. Model THP-S barrel pumps have type 304 stainless steel body and PTFE internal parts. This pump is used for pumping some acids, solvents, paint thinners and other chemicals compatible with 304 stainless steel and PTFE.

Specifications

Flow rate per stroke.	22 oz	Suction Tube (Length & Material).37" 304 SS
Max. Temp.	140°F	Packing Gland.	PTFE
Inlet.	1-1/2"	Wetted Parts.	304 SS & PTFE
Outlet.	3/4"	Viscosity.	1000 cps
Bung Adapter.	2" Male NPT		

General Safety Information

1. Always carefully read, thoroughly understand and follow the pump operating instructions. Use this pump correctly and with care for the purpose for which it is intended. Failure to do so may cause damage or personal injury, and will void the warranty. Please retain instructions for future reference.
2. Contact your chemical or fluid supplier to check for compatibility with pump prior to installation and operation.
3. Prior to use, always carefully and thoroughly read and understand the OSHA information contained in the MSDS sheet supplied for the chemical which is to be pumped.
4. Wear protective clothing (goggles, face mask, long sleeves, long pants, gloves, aprons, etc) as set forth in the OSHA Safety Data Sheet when pumping any hazardous chemicals.
5. When using flammable liquids, pump containers should be grounded to avoid static electricity.
6. Any pump used for transferring flammable liquids must be stored in a ventilated area after use.
7. Pump should be washed out before it is used since processing lubricants may contaminate the fluids.
8. Prior to use, inspect your pump thoroughly verifying its proper assembly.
9. If pump is removed from drum, it should be thoroughly rinsed in a liquid that is compatible with the pump.

Exploded parts view on reverse side

Installation

1. Check to see if all parts are present.
2. Attach discharge spout (Ref. No. 13) using (Ref. No. 11 & 12).
3. Attach bung adapter (Ref. No. 16) to drum. Insert pump through bung adapter then tighten (Ref. No. 14) to desired height of pump.
4. If pump is removed from drum, rinse thoroughly in liquid that is compatible with both the pump and fluid. For questions about chemical compatibility, contact your chemical supplier.

1 Year limited warranty against manufacturer workmanship and defects

Maintenance

Normal maintenance is not required. If pump leaks at the top replace packing gland (Ref. No. 4)

Operation

1. The pump is now ready for operation. Liquids should begin flowing on second or third upstroke. If slight leakage should occur, simply tighten packing nut (Ref. No. 3) on top of pump.

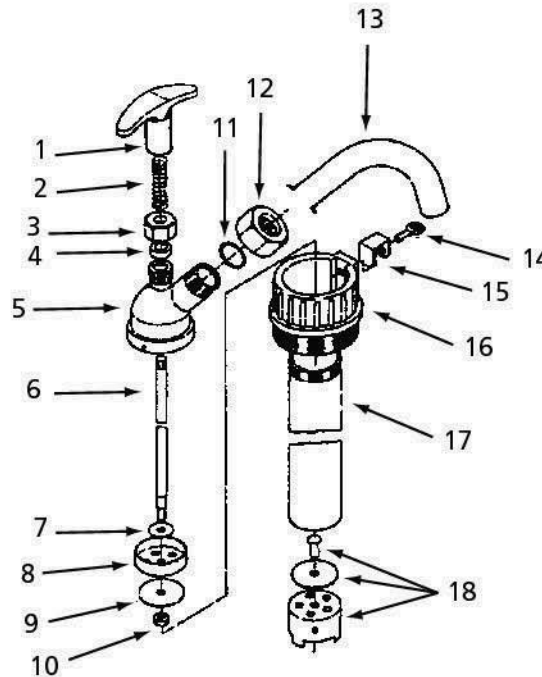
NOTE: Tighten only enough to prevent leakage.



Supplied By: **The Cary Company**
Ph: 630-629-6600
www.thecarycompany.com



Supplied By: **The Cary Company**
 Ph: 630-629-6600
 www.thecarycompany.com



Replacement Parts List

Ref#	Description	Part	See Below
1	Handle	THP ST-10	
2	Spring	THP ST-29	
3	Packing Nut	THP ST-06	
4	Packing Gland	THP ST-07	TS
5	Body Head	THP ST-42	T
6	Inner Shaft	THP ST-48	T
7	Washer	THP ST-49	T
8	Piston	THP ST-52	TS
9	Piston Washer	THP ST-50	T
10	Hex Nut	THP ST-40	T
11	O'Ring	THP ST-04	TS
12	Spout Nut	THP ST-03	
13	Discharge Spout	THP ST-45	T
14	Thumb Screw	THP ST-19	
15	Clip	THP ST-17	
16	Bung Adapter	THP ST-25	
17	Outer Body	THP ST-41	T
18	End Plug Assembly	THP ST-18	T

(T) Wetted Parts

(S) Repair Kit

Buttress adapter for 2" Female NPT drum openings, order part No. 3005-25