

# IF YOU...



MIX IT. FILL IT. PACK IT. SHIP IT.

## WE HAVE A PRODUCT FOR YOU

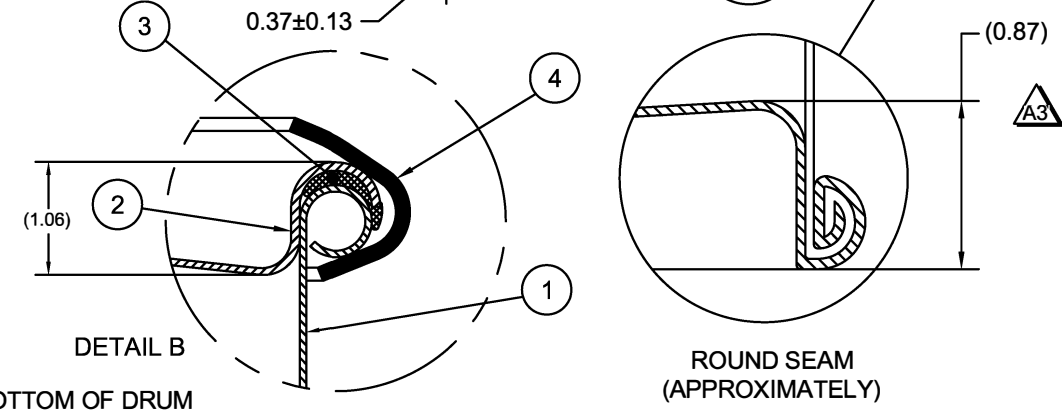
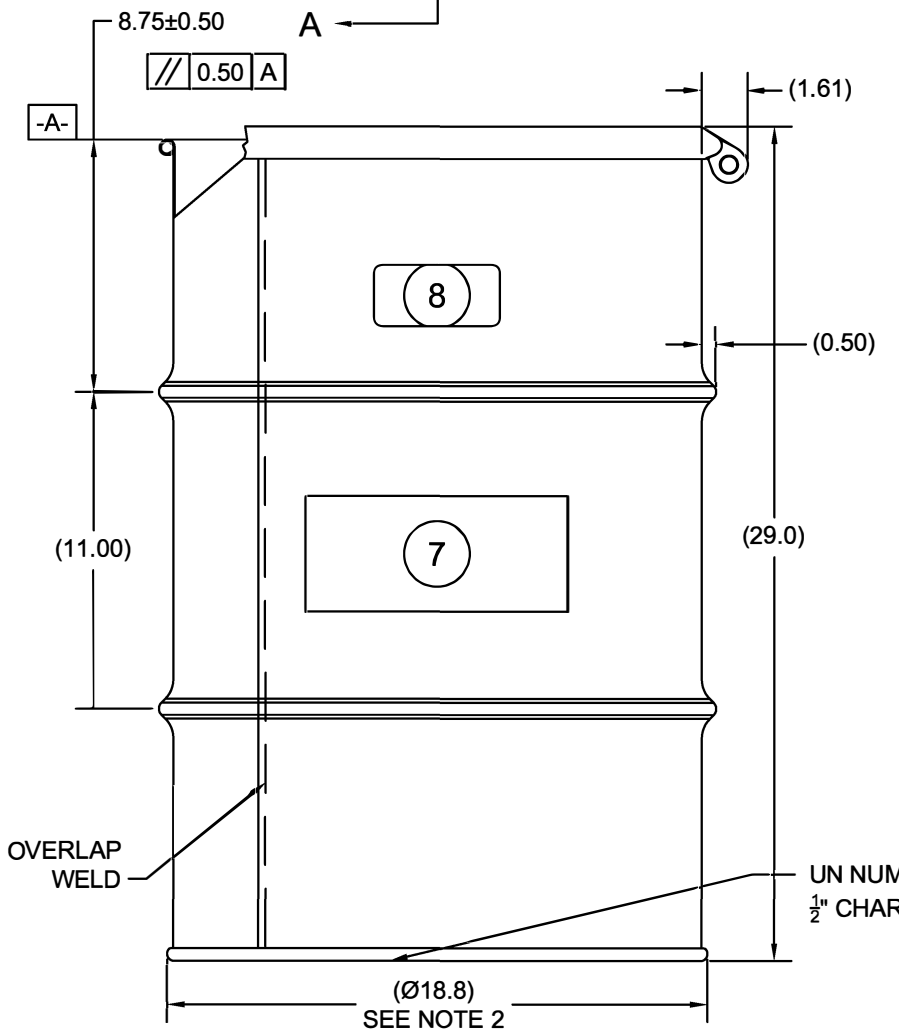
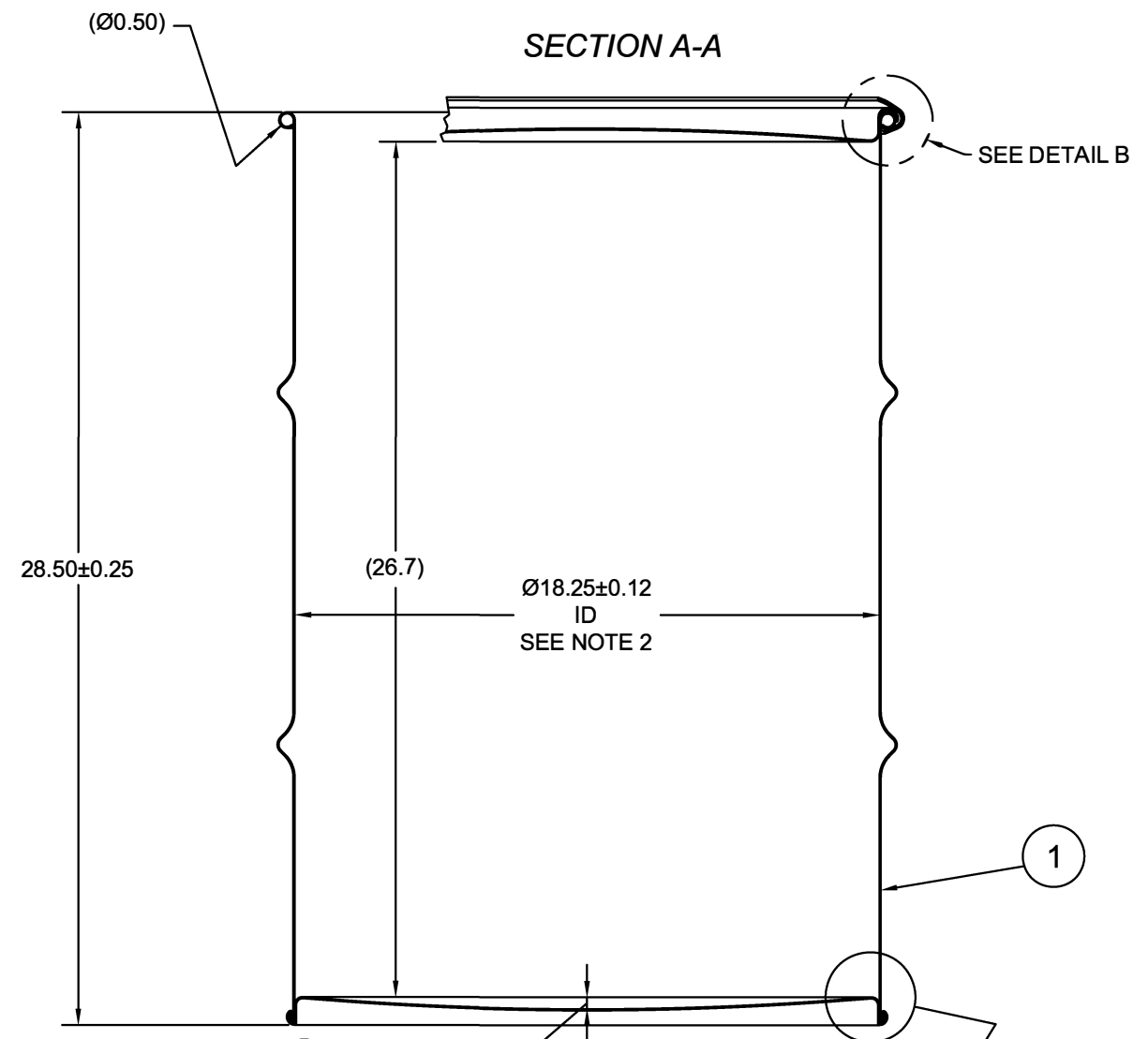
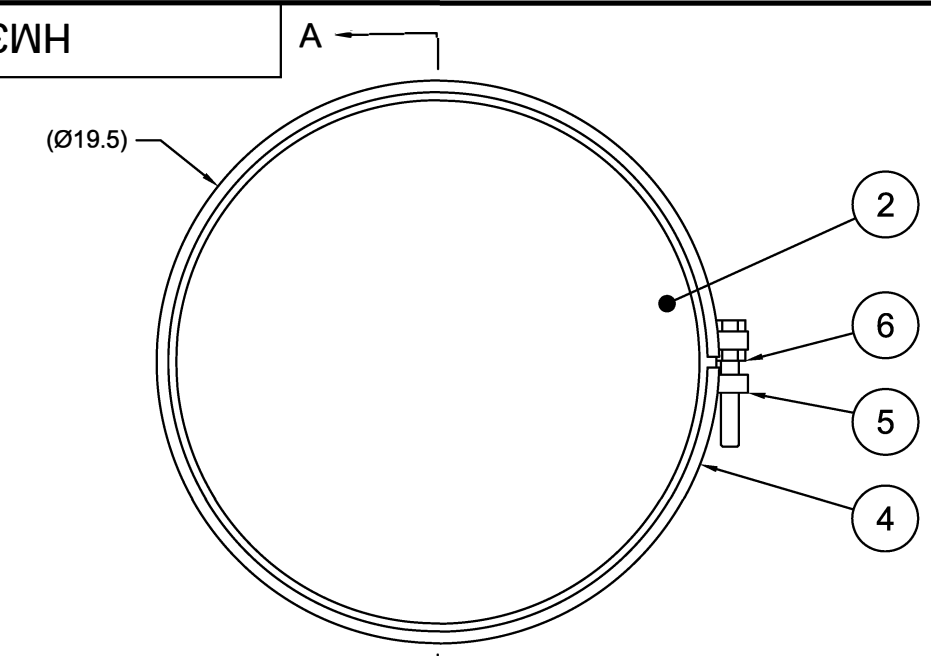


30 Gallon Steel Salvage Drum, Cover w/Bolt Ring Closure (16/18 Gauge)

Part #	26WSV3
Capacity	30 gal.
Condition	New
Color	Yellow
Material	Carbon Steel
Closure	Cover w/ Bolt Ring Closure
Lining	Rust Inhibitor Enamel
Steel Thickness	1.5/1.2/1.2 (Top/Body/Bottom)
Steel Gauge	16/18/18 (Top/Body/Bottom)
Gasket	EPDM Rubber Gasket
Dimensions	18.25" Dia. x 26.7" H (Inside) 18.8" Dia. x 29" H (Outside)
UN Rating Liquid	UN1A2/Y1.5/150
UN Rating Solid	UN1A2/X235/S

1003WH

ECN # or INIT	REV	DESCRIPTION	DATE
OE-005	A1	REDRAWN TO AutoCAD	06-FEB-2013
OE-001	A2	ADDED CHIME VIEW	29-APR-2013
OE-018	A3	WAS MULTI-LINGUAL SALVAGE LOGO	17-OCT-2016



**NOTES:**

1. THESE DIMENSIONS REPRESENT DRUM AFTER BEING PROPERLY ASSEMBLED AND CLOSED PER CLOSING INSTRUCTIONS
2. TO DETERMINE GREATER ACCURACY OF ANY DIAMETRIC DIMENSION, MEASURING OF CIRCUMFERENCE IS REQUIRED
3. CONSTRUCTION per 49 CFR §178.504 (b)

**MATERIAL:**

1. DRUM BODY AND COVER CRCQ CARBON STEEL PER ASTM A1008 AND ASTM A568
2. MATERIAL THICKNESS: COVER - 1.5mm (0.0543 - 0.0590, 16 GAUGE) BODY/BOTTOM - 1.2mm (0.0433 - 0.0480, 18 GAUGE)
3. GASKET MAT'L PER ASTM D1056

**FINISH:**

1. DRUM BODY/BOTTOM EXTERIOR PAINTED YELLOW (LQ10024) COVER EXTERIOR PAINTED RED (LQ10017)

ITEM	P/N	DESCRIPTION	QTY
8		UN DURABLE LABEL	1
7	LS1000	LOGO SALVAGE DRUM	1
6	NT5800	5/8-11UNC HEX JAM NUT	1
5	BT5840	5/8-11UNC X 4in LONG HEX HEAD BOLT	1
4	RBH1812	BOLT RING 20-30G 12 GA 5/8 LUG	1
3	GE2000	GASKET EPDM IN-COVER 'D' BLACK	1
2	P1815	COVER, Ø18.25 DRUM, CRCQ STEEL	1
1		30 GALLON DRUM BODY AND BOTTOM	1

UN NUMBER EMBOSSED ON BOTTOM OF DRUM  
 1/2" CHARACTERS READING:

UN/1A2/X235/S/YR  
 UN/1A2/Y1.5/150/YR  
 1.5 - 1.2 - 1.2 \*

(YR = YEAR OF MANUFACTURE)

TARE WEIGHT:  
 35 lbs

**APPROVAL  
 ON FILE**  
 FILE CREATED IN  
 AutoCAD

**UNLESS STATED OTHERWISE**

(DIMENSIONS IN PARENTHESIS ARE FOR REFERENCE ONLY!!!)  
 ALL DIMENSIONS ARE IN INCHES  
 DO NOT SCALE DRAWING  
 TOLERANCES:  
 FRACTIONS ±1/4  
 X° ± 3°  
 X.X ± 0.2  
 X.XX ± 0.10  
 X.XXX ± 0.030

DESCRIPTION 30 GALLON OPEN HEAD DRUM 1.5 - 1.2 - 1.2 CRCQ 1A2/X235/S & 1A2/Y1.5/150		
REL. DATE -	PART NUM. / FILENAME HM3001	REV A3