

# IF YOU...



MIX IT. FILL IT. PACK IT. SHIP IT.

# WE HAVE A PRODUCT FOR YOU



Part #	26WT04
Neck Width	2"
Gasket	EPDM Rubber Gasket
Drum Type	ISO-228
Color	White
Material	PP
Case Pack	500 ea.
Pallet Pack	9,000 ea. (18 Cases)
Model	PAG208



Supplied By: **The Cary Company**

Ph: 630-629-6600

www.thecarycompany.com

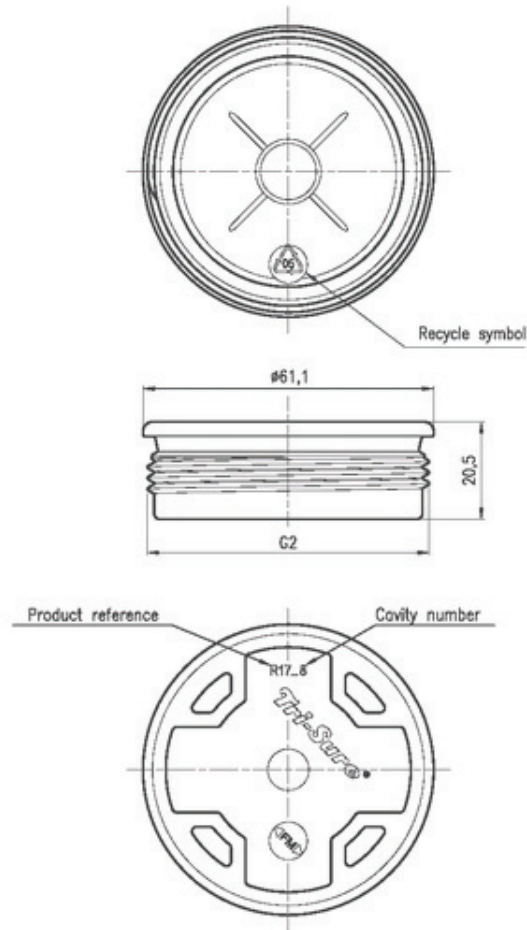
G2 (50mm) PP skirt-type Tri-Sure® Plastic Plug (P4S) EPDM white -Washer/Gasket Std White (Std)

### General information

- Manufactured in compliance with ISO-15750-3
- G-Type plug (Standard) - with skirt
- Rawmaterial: Polypropylene
- G2 (50mm) / the thread is ISO-228 compatible
- EPDM white -Washer/Gasket: White EPDM is a multy purpose sealing material with good physical and excellent chemical properties. EPDM is FDA compliant. As plug washer/gasket it is not recommended for applications involving petroleum derivatives.
- Standard Execution
- Plug material colour: White (Std)

### Packaging information

- Component weight (grams): 24
  - Box Quantity: 500
  - Box weight (kg)\*: 12
  - Pallet Quantity: 13500
  - Pallet weight (kg)\*: 364
- (\* = approximate grossweight)



Material: PP

Finish:

Item number - CXPAG2080001

Product Drawing - TSF-504917

### Article Code

CXPAG2080001

### Comments

- Food Packaging Regulations: The raw materials used are in compliance with §177.1520 of the FDA: Olefin polymers.
- For the correct application of our products general information is available on our website [www.Tri-Sure.com](http://www.Tri-Sure.com)
- Accessories such as hand spanners and adaptors for torque wrenches are available
- G2 & G $\frac{3}{4}$  Tri-Sure® plastic plug is FM compliant (US-2001 NFPA-30) and as such a fusible closure for steel drums containing flammable liquids
- Only plastic cap seals are permitted over the fusible closures. Metal cap seals are Not Allowed!

'CX' pre-code: for internal use only, in practice it can vary from CA,CB.. to CZ.

**Disclaimer:** All information on our behalf in relation to our products, whether in nature of date, recommendations or otherwise, is supported by research and believed reliable, but we assume no liability whatsoever in respect of application, processing or use made of the aforementioned information or products or any consequence thereof. The user undertakes all liability in respect of the application. Processing or use of the aforementioned information or products, whose quality and other properties he shall verify, or any consequence thereof. No liability whatsoever shall attach to us for any infringement of the rights owned or controlled by a third party on intellectual, industrial or other property by reason of the application, processing or use of the aforementioned information or products by the user.