

# IF YOU...



MIX IT. FILL IT. PACK IT. SHIP IT.

## WE HAVE A PRODUCT FOR YOU



Part #

26WT07

Neck Width

3/4"

Gasket

EPDM Rubber Gasket

Drum Type

Steel Drums

Material

Steel

Case Pack

1,000 ea.

Pallet Pack

36,000 ea. (36 Cases)

Model

Tri-Sure® PAA310008

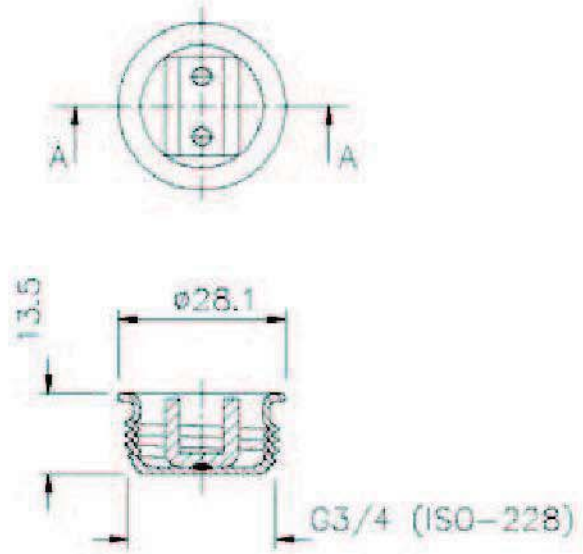
G $\frac{3}{4}$  (20mm) Steel (Std) R-type (G2) Tri-Sure<sup>®</sup> Metal Plug Zinc Plated EPDM white -Washer/Gasket

### General information

- Manufactured in compliance with ISO-15750-3; Thread ISO-228 compatible.
- The Tri-Sure<sup>®</sup> plug are standard equipped with the R-profile (G2 only) for optimal un-screwing performance
- Rawmaterial: Mild Steel
- G $\frac{3}{4}$  (20mm) / the thread is ISO-228 compatible
- Finish: Zinc Plated / Yellow Chromate Passivation
- EPDM white -Washer/Gasket: White EPDM is a multy purpose sealing material with good physical and excellent chemical properties.EPDM is FDA compliant. As a plug washer/gasket it is not recommended for applications involving petroleum derivatives.

### Packaging information

- Component weight (grams): 20
  - Box Quantity: 1000
  - Box weight (kg)\*: 20
  - Pallet Quantity: 45000
  - Pallet weight (kg)\*: 958
- (\* = approximate grossweight)



Section A - A

Material: Steel  
Finish: Zinc Plated

26WT07

### Comments

- The raw materials used are in compliance with US CONEG §37.0205 and EEC Directive 94/92/EC of 13-12-94 on Packaging waste (<100ppm for Heavy Metal content)
- Zinc Plated Components are not FDA compliant



Supplied By: **The Cary Company**  
Ph: 630-629-6600  
[www.thecarycompany.com](http://www.thecarycompany.com)