

IF YOU...



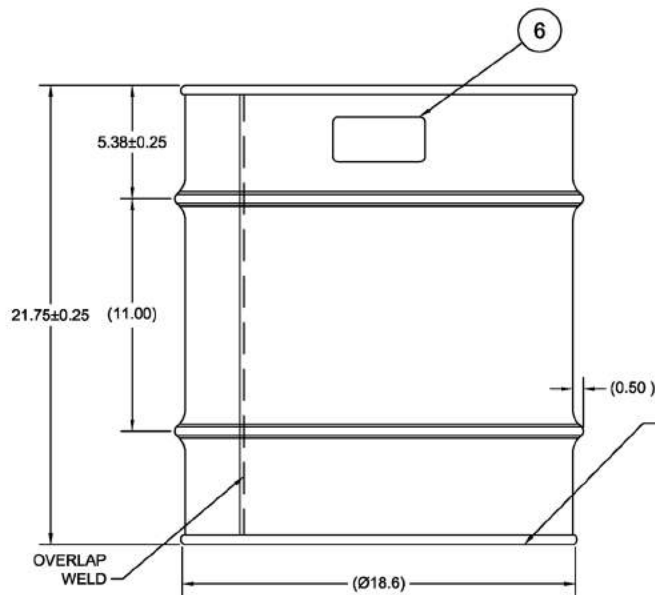
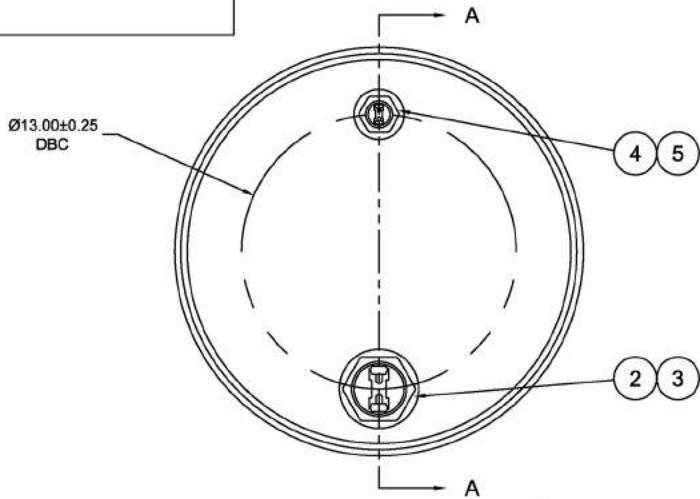
MIX IT. FILL IT. PACK IT. SHIP IT.

WE HAVE A PRODUCT FOR YOU

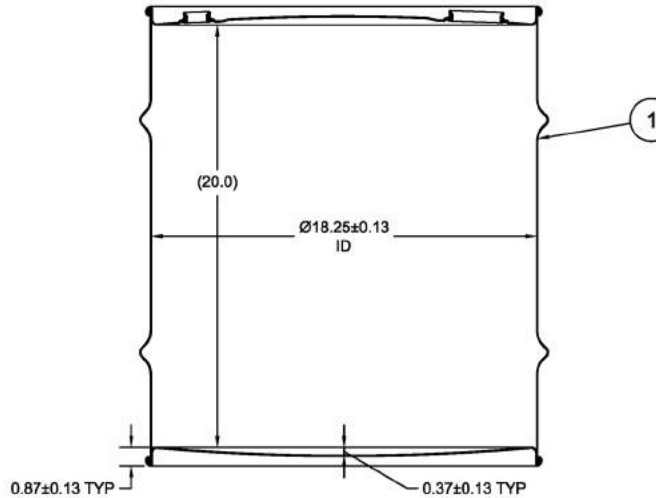


Part #	26WT20
Capacity	20 gal.
Condition	New
Color	Black w/ White Cover
Material	Carbon Steel
Closure	Tight Head (Closed)
Lining	Epoxy Phenolic Lining
Steel Thickness	1.5/0.9/1.5 (Top/Body/Bottom)
Steel Gauge	16/20/16 (Top/Body/Bottom)
Fittings	2" NPT & 3/4" NPT
Gasket	Buna Gasket
Dimensions	18.25"Dia. x 20"H (inside) 18.6"Dia. x 21.75"H (outside)
UN Rating Liquid	UN1A1/X1.2/300





SECTION A-A
(SHOWN W/ PLUGS REMOVED)



BCN #	REV	DESCRIPTION	DATE
	A	RELEASED	12-MAY-2008
07-021	A1	WAS BOX CHIME (DRAWING UPDATE ONLY)	19-JAN-2012
OE-001	A2	CLERICAL ERROR	01-APR-2013

NOTES:

1. TO DETERMINE GREATER ACCURACY OF ANY DIAMETRIC DIMENSION, MEASURING OF CIRCUMFERENCE IS REQUIRED
3. CONSTRUCTION per 49 CFR § 178.504 (b)

MATERIAL:

1. DRUM BODY AND COVER CRCQ CARBON STEEL PER ASTM A1008 OR ASTM A568 OR EQUIVALENT
2. MATERIAL THICKNESS: TOP & BOTTOM 1.5mm (0.0543 - 0.0590; 16 GAUGE), BODY 0.9mm (0.0319 - 0.0370; 20 GAUGE)

FINISH:

1. BODY/BOTTOM EXTERIOR PAINTED BLACK (LQ10003)
TOP EXTERIOR PAINTED WHITE (LQ10020)

ITEM	P/N	DESCRIPTION	QTY
6		UN DURABLE LABEL	1
5	PT3000	PLUG 3/4 TS BUNA GASKET	1
4	FT3000	FLANGE 3/4 TS BUNA GASKET	1
3	PT2000	PLUG 2 TS BUNA GASKET	1
2	FT2000	FLANGE 2 TS BUNA GASKET	1
1		20 GALLON TIGHT HEAD	1

MFG JR	DRW LJT	CHK JM	UNLESS STATED OTHERWISE (DIMENSIONS IN PARENTHESIS ARE FOR REFERENCE ONLY!!!) ALL DIMENSIONS ARE IN INCHES DO NOT SCALE DRAWING TOLERANCES: FRACTIONS ±1/4 X° ± 3° X.X ± 0.2 X.XX ± 0.10 X.XXX ± 0.030
SLS DR	QA MD		
APR Bora Rasic			
FILE CREATED IN AutoCAD 2002	3 RD		

DESCRIPTION		REV
20 GALLON TIGHT HEAD DRUM 1.5 - 0.9 - 1.5 CRCQ STEEL 1A1/X1.2/300		A2
REL. DATE	PART NUM. / FILENAME	
12-MAY-2008		

TARE WEIGHT:
26 lbs