

IF YOU...



MIX IT. FILL IT. PACK IT. SHIP IT.

WE HAVE A PRODUCT FOR YOU



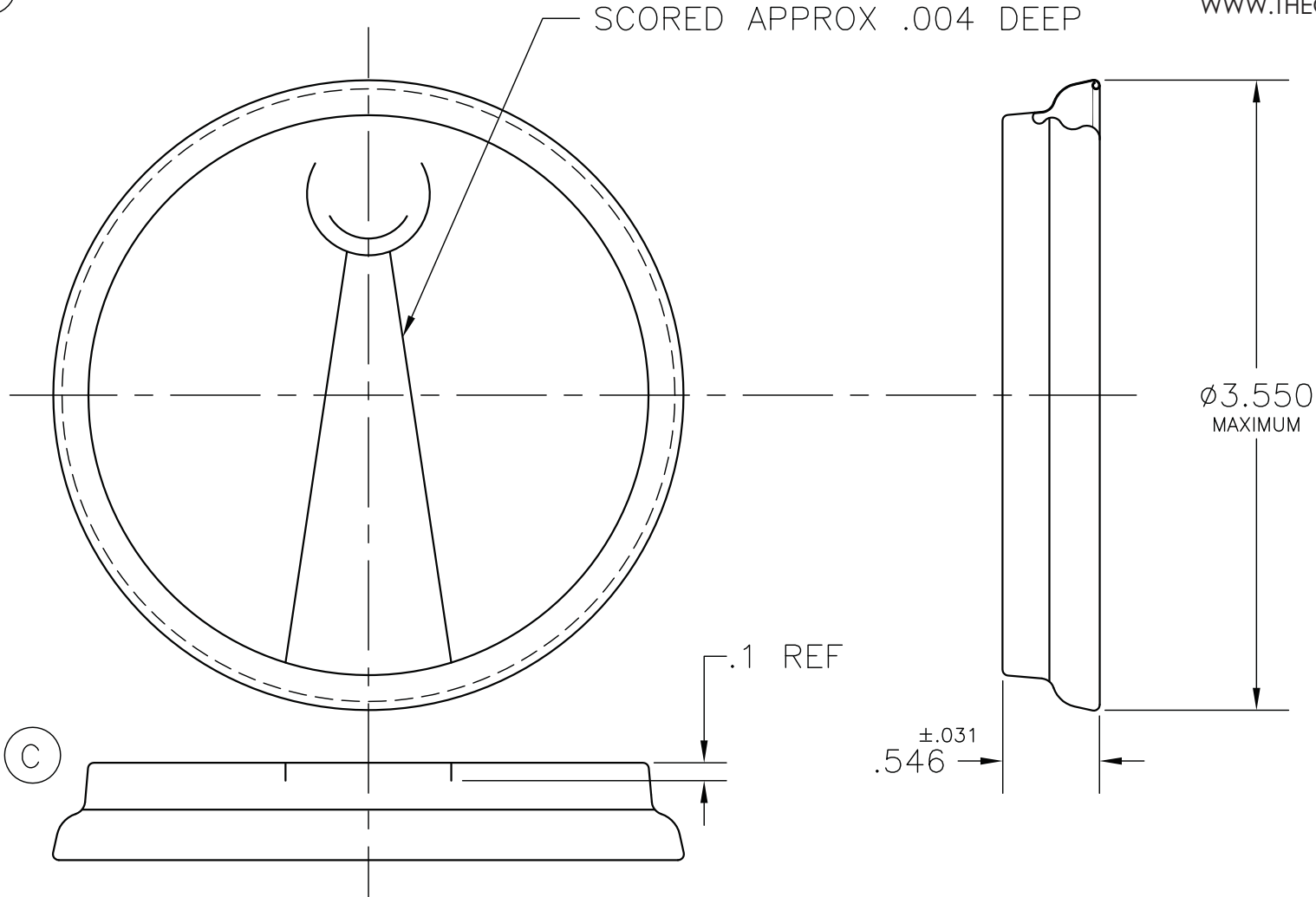
Part #	26WTE2
Neck Width	2"
Drum Type	Poly Drums & Steel Drums
Color	White
Material	Steel
Case Pack	1,000 ea.
Pallet Pack	36,000 ea (36 Cases)
Model	Rieke® X-3
Note	*Designed for use on Hex-head Rieke® Visegrip® and Poly-Visegrip® drum plugs. (Not designed for Visegrip II plugs)

MATERIAL NOTE:
 70# (.006/.011) CAN MARKING QUALITY BLACK PLATE
 LITHOGRAPHED ON EXTERIOR, LAQUER COATED ON REVERSE



PH 630-629-6600 - FX 630-629-3690
 1195 W. FULLERTON AVE. - ADDISON, IL 60101
 WWW.THECARYCOMPANY.COM

(D)



(C)

BREAK ALL SHARP EDGES WITH 1/64" RADIUS, UNLESS OTHERWISE SPECIFIED THE FOLLOWING TOLERANCES APPLY UNLESS OTHERWISE SPECIFIED: ANGLES ±1/4° HUNDRETH ±.015 THOUSANDTH ±.002	DATE	DRAWN BY				DETAIL NAME	2" METAL CAPSEAL		
	7-7-93	HARANTS				TOOL ASSY. NAME			
	SCALE	CHECKED	D	D).006-.011 WAS .0073-.0087	9/18/09	KEH	PRODUCT	X-3	TOOL ASS'Y NUMBER
		GMB	C	ADD VIEW	30-Sep-02	TPK	DRAWING NUMBER		
NTS	APPROVED	B	DELETE NOTE	16-Jul-02	TPK	FOR		DETAIL NUMBER	
		A	REDRAWN	8-17-93	KLH	MATERIAL	SEE NOTE	TEMPER	
		CHANGE NUMBER	CHANGE	DATE	BY			X-3	