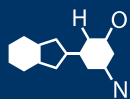
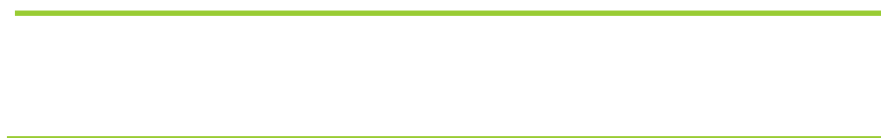


IF YOU...



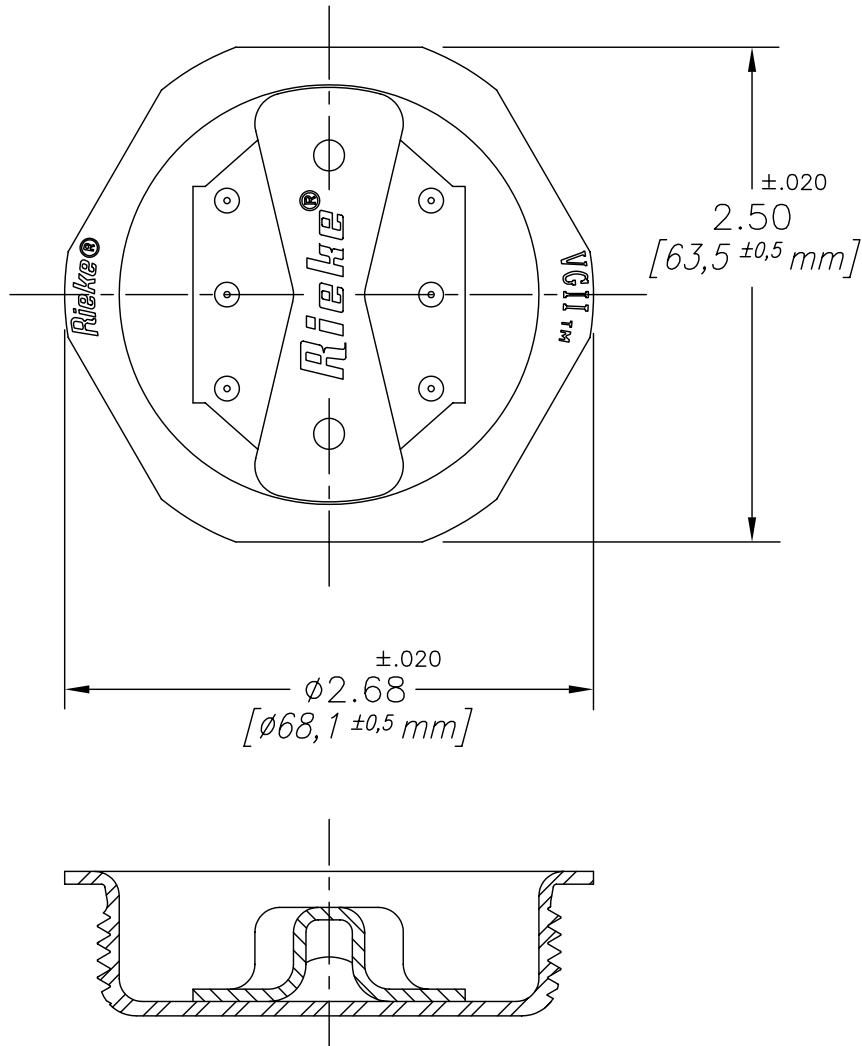
MIX IT. FILL IT. PACK IT. SHIP IT.

WE HAVE A PRODUCT FOR YOU



| | |
|------------|-------------------------|
| Part # | 26WVG4 |
| Neck Width | 2" |
| Drum Type | Steel Drums |
| Material | Steel |
| Model | Rieke S-250 Visegrip II |





GASKET REQ'D

THREAD NOTE:
 2" ~ 11-1/2 TPI
 2.283 MAX PITCH DIAMETER
 [58.0 mm MAX]

CUSTOMER DRAWING

| | |
|---|-------------------|
|  Supplied By: The Cary Company Ph: 630-629-6600 www.thecarycompany.com | |
| DETAIL NAME 2" RIEKE VISEGRIP II STEEL PLUG | |
| TOOL ASSY. NAME | |
| PRODUCT S-250 VGII | TOOL ASS'Y NUMBER |
| DRAWING NUMBER 28001103 | DETAIL NUMBER |
| FOR | S-250 VGII |
| MATERIAL 1006 STEEL | TEMPER |

| | | | | | | | |
|---|--------------|-----------------|---------------|--------|------|----|--|
| BREAK ALL SHARP EDGES WITH 1/64" RADIUS, UNLESS OTHERWISE SPECIFIED THE FOLLOWING TOLERANCES APPLY UNLESS OTHERWISE SPECIFIED: ANGLES $\pm 1/4^\circ$ HUNDRETH $\pm .015$ THOUSANDTH $\pm .002$ | DATE 8-16-05 | DRAWN BY J.HESS | | | | | |
| | SCALE NTS | CHECKED GMB | | | | | |
| | | APPROVED | CHANGE NUMBER | CHANGE | DATE | BY | |
| | | | | | | | |



PH 630-629-6600 - FX 630-629-3690
 1195 W. FULLERTON AVE. - ADDISON, IL 60101
 WWW.THECARYCOMPANY.COM

| | | |
|----------------------|----------------------------|-------------|
| Description | S-250 2" RIEKE® VGII® Plug | |
| Specification number | Item Number: - 20600004 | |
| Date | February 13, 2014 | Page 1 of 1 |
| Prepared by | Jeff Hess | |
| Approved by | Lee Olinske | |

| PARAMETERS | SPECIFICATION | TEST METHOD |
|---|---|------------------------------------|
| Material of construction | Mild Steel | COA |
| Opening Print Drawing Number | M1082 Rev: none | |
| Surface Finish (i.e., Metal finish, Paint finish, etc.) | Plated | Test Method |
| Nominal dimensions in inches (mm) | | QC Spec Variable/Fixed Gauge |
| Special markings | | |
| Accessories | GV043 Black Buna Gasket | |
| Method of delivery | 200 /carton - ~ 45 lbs. gross/carton - 27 cartons/pallet | |
| Components | Steel Plug | Drawing No.: 28001103 Rev: None |



Supplied By: **The Cary Company**
 Ph: 630-629-6600
 www.thecarycompany.com