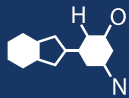


# IF YOU...



MIX IT. FILL IT. PACK IT. SHIP IT.

# WE HAVE A PRODUCT FOR YOU

Part #: 26WWDC

Mauser Capsels

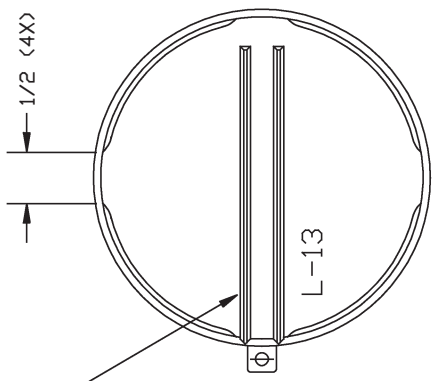
2" Mauser® Tamper Evident Plastic Capsel for  
Mauser Poly-Drums



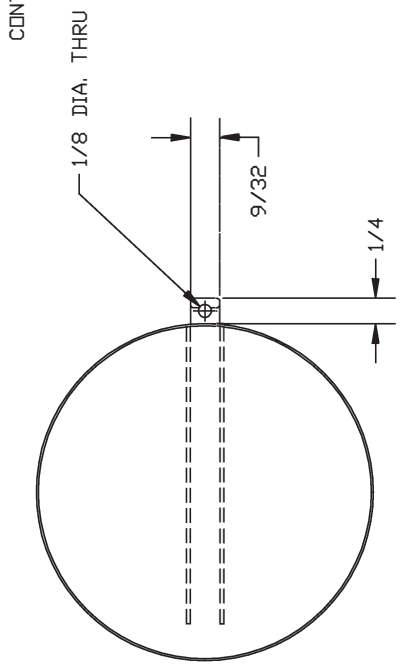
The  
**CARY**COMPANY  
Est. 1895

1195 W. Fullerton Ave. | Addison, IL 60101 | T: 630.629.6600 | F: 630.629.3690 |

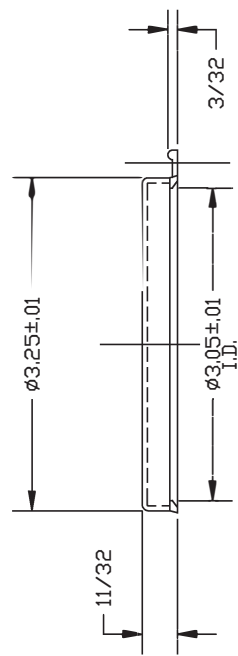
REV	DESCRIPTION	DATE	APPROVED
-----	-------------	------	----------



BOTTOM VIEW



TOP VIEW



TOLERANCES

BREAK ALL SHARP EDGES UNLESS SPECIFIED	FRAC. ± 1/64	DECIMALS .XX ±.005
	ANGLES ± 0°30'	.XXXX ±.0005

DO NOT SCALE PRINT

MAT: LDPE	HT. TR.
SHEET: 1	OF: 1
Loc:	
NEXT ASSY:	

The **CARY COMPANY** Est. 1895

L-13 Sealing Cap

DESIGNED: RAC	DATE: 7-1-92	SCALE: NTS	ECN:	CPN:
DRAWN: MM	DATE: 7-1992	DWG. NO.		REV
CHECK: BG	DATE: 11-2006	283-80-B-02		