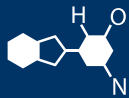


IF YOU...



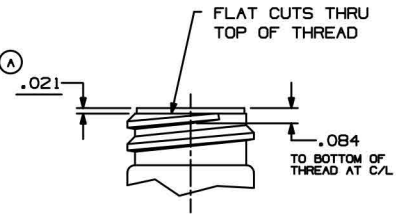
MIX IT. FILL IT. PACK IT. SHIP IT.

WE HAVE A **PRODUCT** FOR YOU

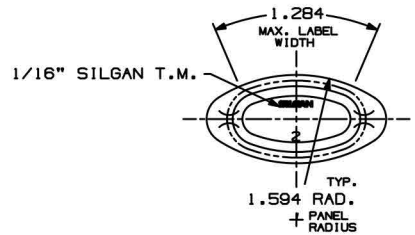
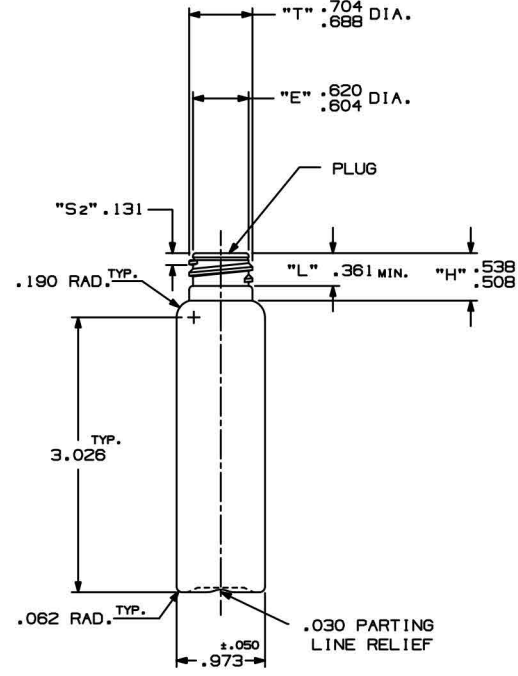
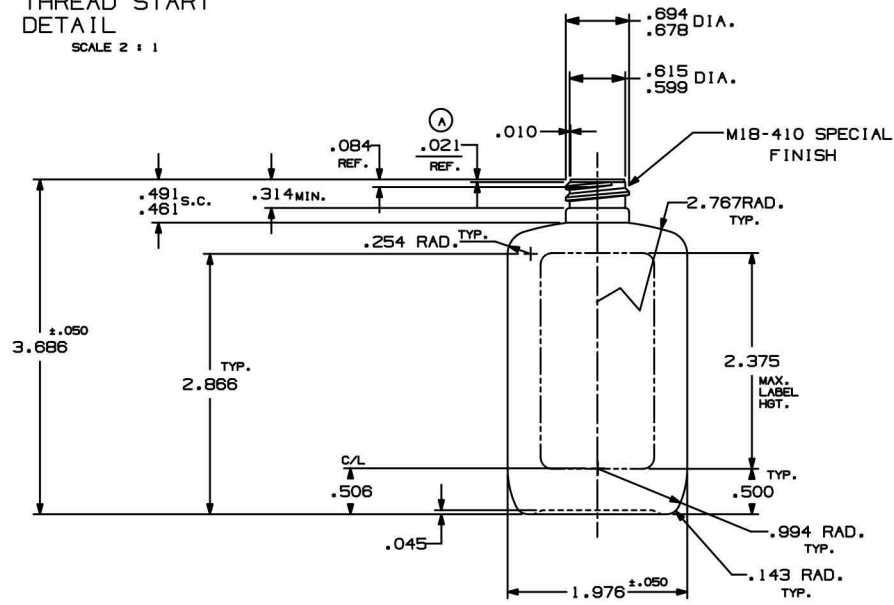
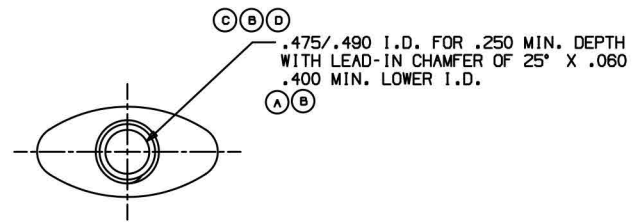
Part # 30B0B2

2 oz. Natural LDPE Plastic Oval Bottle,
18mm 18-410





THREAD START
DETAIL
SCALE 2 : 1



- NOTES :
- OVERFLOW CAPACITY :
AFTER TREAT : 2.26 ± .10 FL.OZ.
(66.8 ± 3.2 CC'S.)
 - WEIGHT : 11.0 ± 1.0 GRAMS

REVISIONS	DESCRIPTION	DATE	APPROVED
D	I.D. WAS .480/.485 & ADDED LEAD-IN CHAMFER	28AUG02	KEBT
C	I.D. WAS .475/.490 WITH 25° X .060 LEAD-IN	2/18/02	J.E.HANEY
B	I.D. WAS .487/.482, .020 X .050, .325 MIN. I.D.	12/9/99	J.E.HANEY
A	.021 WAS .030, .250 WAS .650, .325 WAS .427, RFP	3/8/99	J.E.HANEY

DIMENSIONS SHOWN ARE:	DRAWN BY	MATERIAL	CUSTOMER
<input type="checkbox"/> AS MOLDED <input checked="" type="checkbox"/> AFTER TREAT	J.E.HANEY	LDPE	DESCRIPTION
<input type="checkbox"/> AFTER TREAT & DECO <input type="checkbox"/> POST I.M.L.	DATE 7/15/98	LABEL DWG NO.	
	PREFORM	PRD/CNV. NO.	2 FL.OZ. OVAL
	INFO.	REF. DWG. NO. MC-5K-13455-A	
	PROD. NO.	TOOLING NO. TS32-20374	
	CAD	CODE NO.	
	UG	SEE CHART	
	SCALE FULL	SUFF. AREA	DRAWING NO. MC-9-12504-D

3 LSM 02082
2 LSM 02091
1 LSM 02090
CODE CHART