

Part#: 30B5TT, 30B1TT



Cary Code# 30B5TT - 0 to 50 Ft/Lb. Torque Wrench Tester - **Model#: TAF-50**

Cary Code# 30B1TT - 0 to 100 Ft/Lb. Torque Wrench Tester - **Model#: TAF-100**

Cary Code# 30BTTA -3/8" Torque Tester Adapter

Cary Code# 30BTTB -1/2" Torque Tester Adapter

Please note Adapter is needed for the #30B5TT & #30B1TT



Supplied By: **The Cary Company**

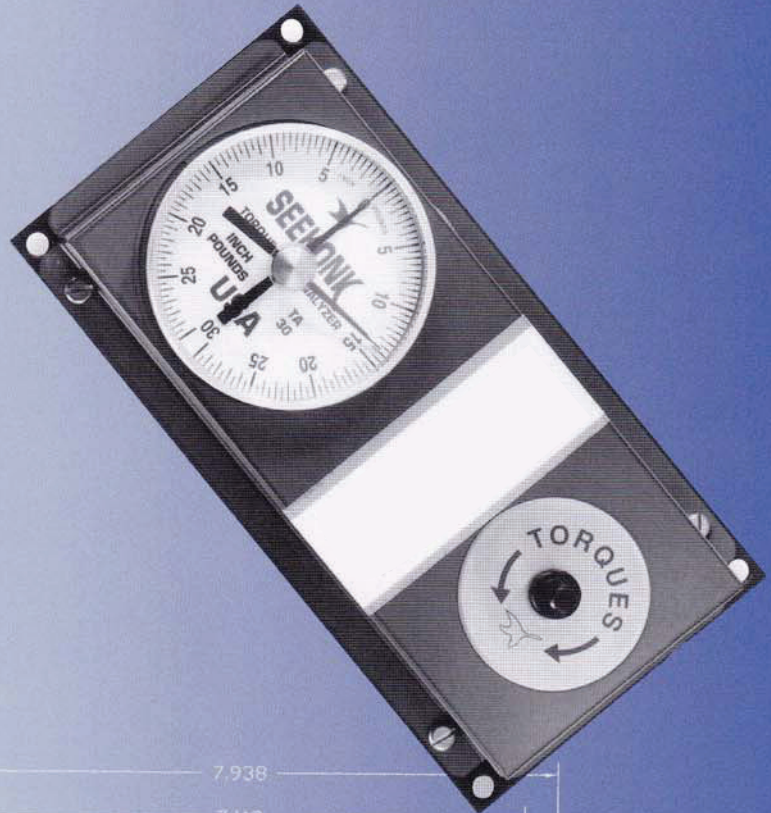
Ph: 630-629-6600

www.thecarycompany.com

TORQUE ANALYZERS

Torque tools which are in regular use need periodic checks to insure their accuracy. Seekonk features a line of bench mounted torque analyzers for this purpose. These analyzers provide a means of quick and economical standardization. All models are guaranteed accurate to within +/- 2% of indicated reading from 20% to 100% of full range. Available with memory needle or Metric/English dial. **For use with hand operated tools only. Not for use with pneumatic or electric powered tools.**

Note: Memory needle does not work with click type tools.

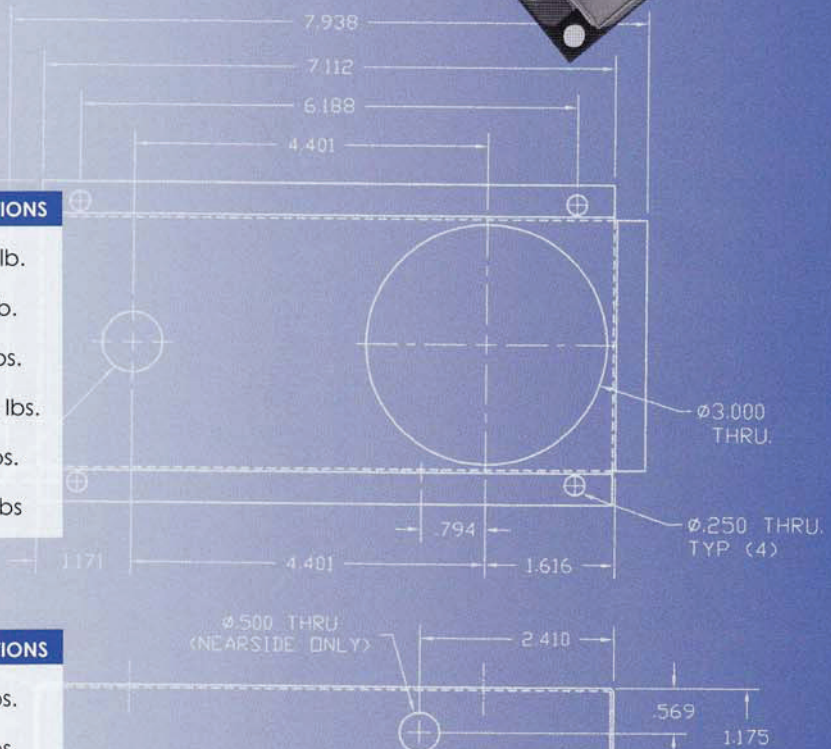


INCH POUND MODELS

MODEL #	DRIVE SIZE	RANGE	GRADUATIONS
TA-30	1/4" sq. dr.	0-30 in. lbs.	1/2 in. lb.
TA-75	1/4" sq. dr.	0-75 in. lbs.	1 in. lb.
TA-100	1/4" sq. dr.	0-100 in. lbs.	2 in. lbs.
TA-150	3/8" sq. dr.	0-150 in. lbs.	2-1/2 in. lbs.
TA-300	3/8" sq. dr.	0-300 in. lbs.	5 in. lbs.
TA-600	3/8" sq. dr.	0-600 in. lbs.	10 in. lbs.

FOOT POUND MODELS

MODEL #	DRIVE SIZE	RANGE	GRADUATIONS
TAF-50	1/2" sq. dr.	0-50 ft. lbs.	1 ft. lbs.
TAF-100	1/2" sq. dr.	0-100 ft. lbs.	2 ft. lbs.
TAF-150	1/2" sq. dr.	0-150 ft. lbs.	2-1/2 ft. lbs.
TAF-200	1/2" sq. dr.	0-200 ft. lbs.	5 ft. lbs.



Supplied By: **The Cary Company**

Ph: 630-629-6600

www.thecarycompany.com



Supplied By: **The Cary Company**

Ph: 630-629-6600

www.thecarycompany.com

HOW TO USE TORQUE ANALYZERS

TA and TAF model Torque Analyzers must be firmly secured to a bench or vertical surface by fasteners through the four mounting holes in the base.

MOUNTING PROCEDURE

1. Obtain fasteners approximately 1/4" diameter. Wood screws or nuts and bolts can also be used, depending on the mounting surface.
2. Using the Seekonk Analyzer as a template, scribe the four holes to be drilled, with a pencil. Use correct size drill for wood screws or bolts being used.
3. Prior to mounting your new analyzer make sure the dial is set to zero by turning the outer bezel ring and lining up the pointer to the zero line on the dial.
4. Fasten down the unit evenly. If the pointer should move from zero tighten and /or loosen whichever screw to retain your zero mark. This will insure +/- 2% accuracy of your readings. If your mounting surface is perfectly flat little or no manipulation of the screws will be necessary.

HOW TO USE

1. The dial must be first set to Zero (0) by turning the outer bezel ring and lining up the needle to the zero mark of the dial.
2. The Testing or Analyzing of a torque tool is performed by turning to the right or left (depending upon the tool to be tested) and reading the value when the applied torque is reached.

NOTE:

On snap action torque tools, the applied torque once reached will snap or break and the needle will return to zero. At least six values should be obtained for a correct testing of the tool. Adapters may be required to fit over the drive of the analyzer and fit the tool to be tested. The adapters will vary depending upon the unit and tool to be tested.

Never exceed the units torque value or rotate more than 180°. This will retard accuracy or even destroy torque element drive.

CALIBRATION

Recalibration should not be considered if a high accuracy standard, stable loading device and/or precise weights and length beam are not available. Recalibration is accomplished by adjusting the location of a the fulcrum screw located under an access port on the underside of the analyzer. By loosening the fulcrum and pushing it toward the square drive causes the tool to indicate a lower value at a given load. Conversely, moving the screw toward the dial end causes a higher value to be indicated. Unless you are completely equipped with the proper equipment, do not attempt recalibration.

If you have any trouble with your torque analyzer we suggest returning it to the factory for repair & recalibration. Factory recalibration is performed with precision standards and professional personnel to assure you that your torque analyzer is accurate.

CAUTION

THE TA & TAF MODEL TORQUE ANALYZERS ARE NOT INTENDED FOR USE WITH PNEUMATIC, HYDRAULIC OR ANY OTHER TORQUE TOOLS THAT DELIVER TORQUE BY MEANS OF IMPACT OR POWER.