

IF YOU...



MIX IT. FILL IT. PACK IT. SHIP IT.

WE HAVE A PRODUCT FOR YOU

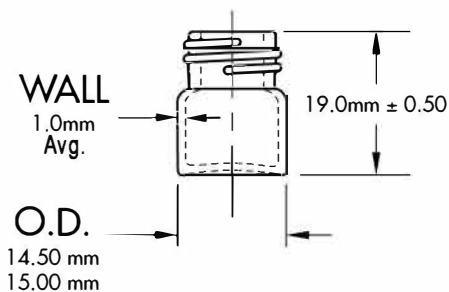
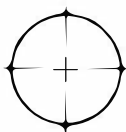
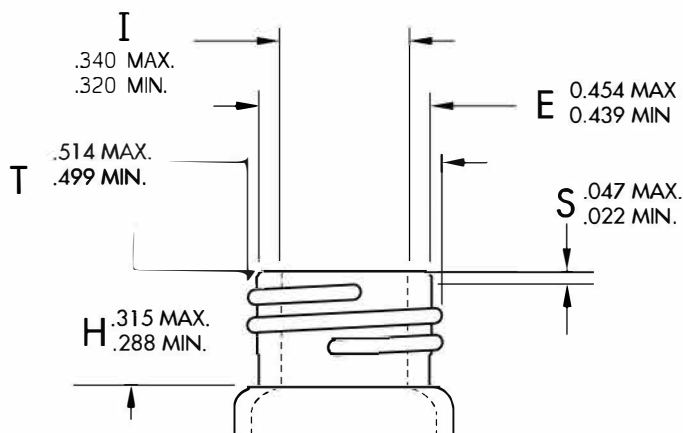


1/3 dram Amber Borosilicate Glass Vials, 13mm 13-425

Product Category: Threaded Glass Vials

Part #	30BV00
Capacity	1/3 dram
Bottle Style	Vial
Color	Amber
Material	Glass
Dimensions	14.75mm Dia. x 19mm (outside)
Neck Finish	13-425
Neck Width	13 mm
BPA Free	Yes
FDA Approved	Yes
Country of Manufacture	United States
Unit Pack	144 ea. (Shrink Wrapped)
Case Pack	6,048 ea. (42 Units)
Case Weight	39 lbs.

SCALE: 200%



SCALE: 100%

The
CARY COMPANY
Est. 1895

ITEM #: **VA131519G** TITLE: **SCREW THREAD VIAL**

GLASS COLOR: **AMBER**

FINISH: **13-425**

DRAWING #:

DRAWING #: **VA131519G-A-2**