

# IF YOU...



MIX IT. FILL IT. PACK IT. SHIP IT.

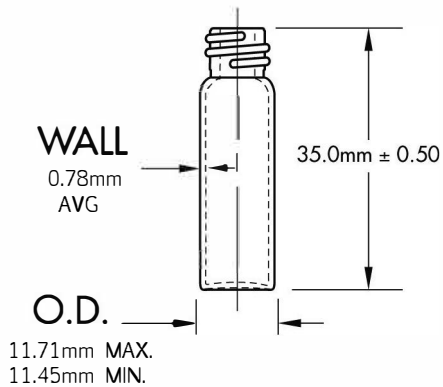
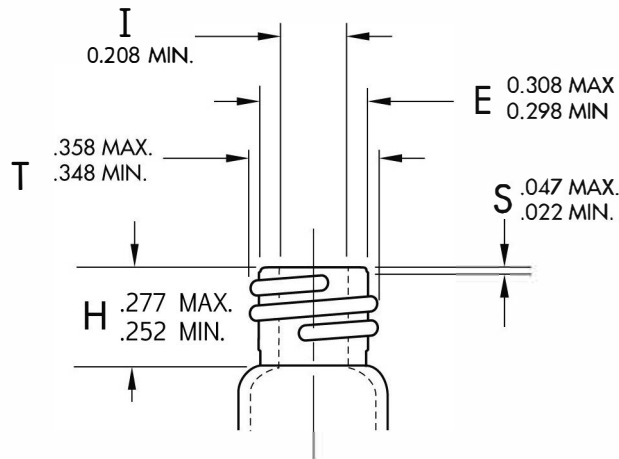
# WE HAVE A PRODUCT FOR YOU



1/2 dram (2.2ml) Amber Borosilicate  
Glass Vials, 8mm 8-425

*Product Category: Threaded Glass Vials*

Part #	30BV01
Capacity	1/2 dram
Bottle Style	Vial
Color	Amber
Material	Glass
Dimensions	11.75mm Dia. x 35mm L (outside)
Neck Finish	8-425
Neck Width	8 mm
BPA Free	Yes
FDA Approved	Yes
Country of Manufacture	United States
Unit Pack	144 ea. (Shrink Wrapped)
Case Pack	4,320 ea. (30 Units)
Case Weight	32 lbs.



GLASS TYPE	GLASS COLOR	OPEN END FINISH	THREADS PER INCH	BOTTOM
Type 1 Borosilicate	Amber	8-425 Threaded	14	Flat

ITEMS #:	VA81235S
NOTES:	
DRAWING #:	VA81235S-A-1