

IF YOU...



MIX IT. FILL IT. PACK IT. SHIP IT.

WE HAVE A PRODUCT FOR YOU

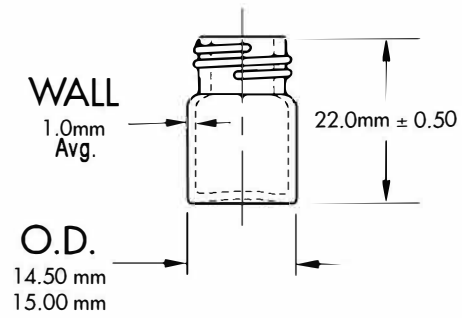
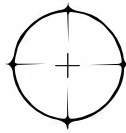
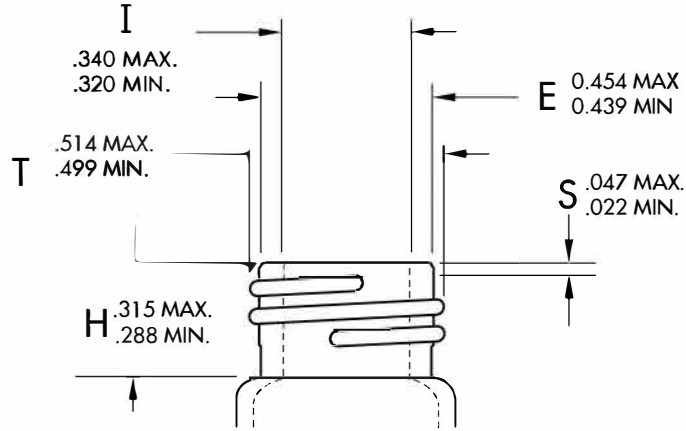


1/2 dram Amber Borosilicate Glass
Vials, 13mm 13-425

Product Category: Threaded Glass Vials

| | |
|------------------------|---------------------------------|
| Part # | 30BV02 |
| Capacity | 1/2 dram |
| Bottle Style | Vial |
| Color | Amber |
| Material | Glass |
| Dimensions | 14.75mm Dia. x 22mm L (outside) |
| Neck Finish | 13-425 |
| Neck Width | 13 mm |
| BPA Free | Yes |
| FDA Approved | Yes |
| Country of Manufacture | United States |
| Unit Pack | 144 ea. (Shrink Wrapped) |
| Case Pack | 6,048 ea. (42 Units) |
| Case Weight | 40 lbs. |

SCALE: 200%



SCALE: 100%

The
CARY COMPANY
Est. 1895

ITEM #: **VA131522G** TITLE: **SCREW THREAD VIAL**

GLASS COLOR: **AMBER**

FINISH: **13-425**

DRAWING #:

DRAWING #: **VA131522G-A-1**