

IF YOU...



MIX IT. FILL IT. PACK IT. SHIP IT.

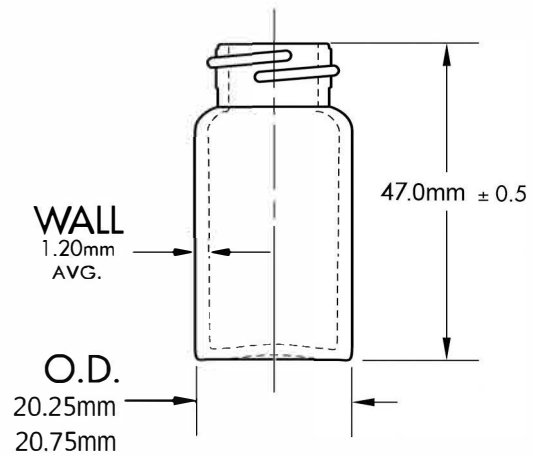
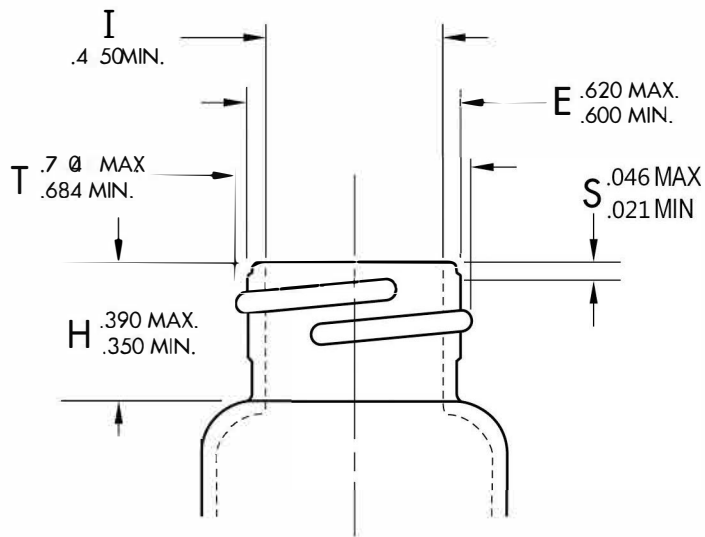
WE HAVE A PRODUCT FOR YOU



2-1/3 dram Amber Borosilicate Glass Vials, 18mm 18-400

Product Category: Threaded Glass Vials

Part #	30BV08
Capacity	2-1/3 dram
Bottle Style	Vial
Color	Amber
Material	Glass
Dimensions	20.5mm Dia. x 47mm L (outside)
Neck Finish	18-400
Neck Width	18mm
BPA Free	Yes
FDA Approved	Yes
Country of Manufacture	United States
Unit Pack	240 ea. (Shrink Wrapped)
Case Pack	1,680 ea. (7 Units)
Case Weight	39 lbs.



GLASS TYPE	GLASS COLOR	OPEN END FINISH	THREADS PER INCH	BOTTOM
Type 1 Borosilicate	Clear	18-400	8	Flat

The
CARY COMPANY
 Est. 1895

ITEM #: VC182147

NOTES:

DRAWING #: VC182147-A-1