

IF YOU...



MIX IT. FILL IT. PACK IT. SHIP IT.

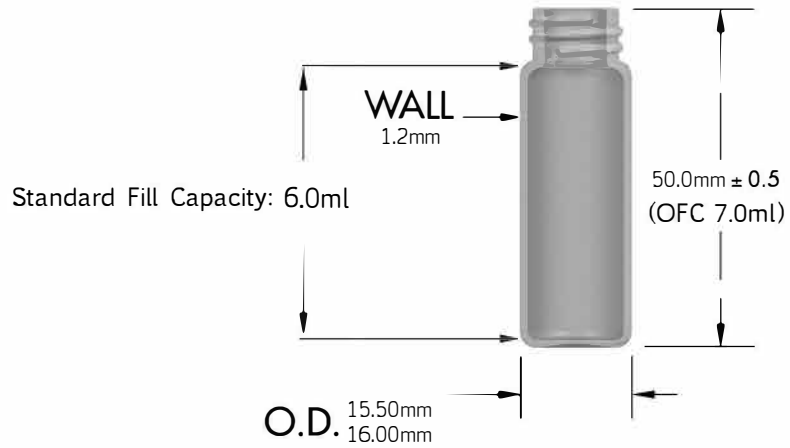
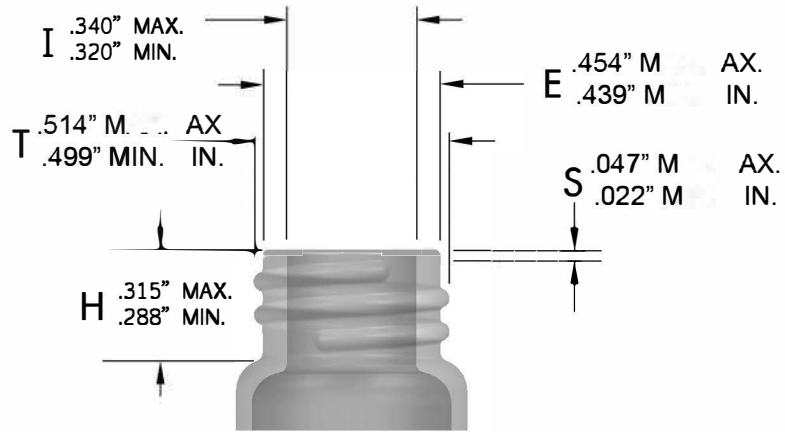
WE HAVE A PRODUCT FOR YOU



1-1/2 dram Clear Borosilicate Glass Vials, 13mm 13-425

Product Category: Threaded Glass Vials

Part #	30BV16
Capacity	1-1/2 dram
Bottle Style	Vial
Color	Clear
Material	Glass
Dimensions	15.75mm Dia. x 50mm L (outside)
Neck Finish	13-425
Neck Width	13 mm
BPA Free	Yes
FDA Approved	Yes
Country of Manufacture	United States
Unit Pack	420 ea. (Shrink Wrapped)
Case Pack	2,520 ea. (6 Units)
Case Weight	34 lbs.



GLASS TYPE	GLASS COLOR	OPEN END FINISH	THREADS PER INCH	BOTTOM
Type 1 Borosilicate	Clear	13-425	12	Flat

The **CARY COMPANY** Est. 1895

ITEM #: VC131650
SPECIAL NOTES: VC131650-A-1