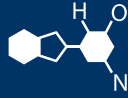


# IF YOU...



MIX IT. FILL IT. PACK IT. SHIP IT.

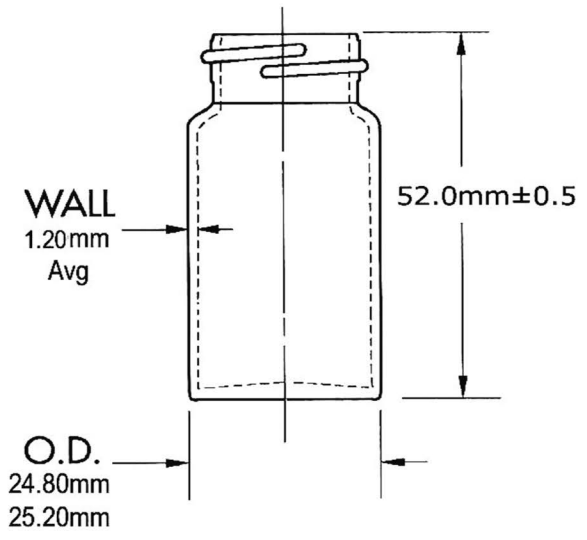
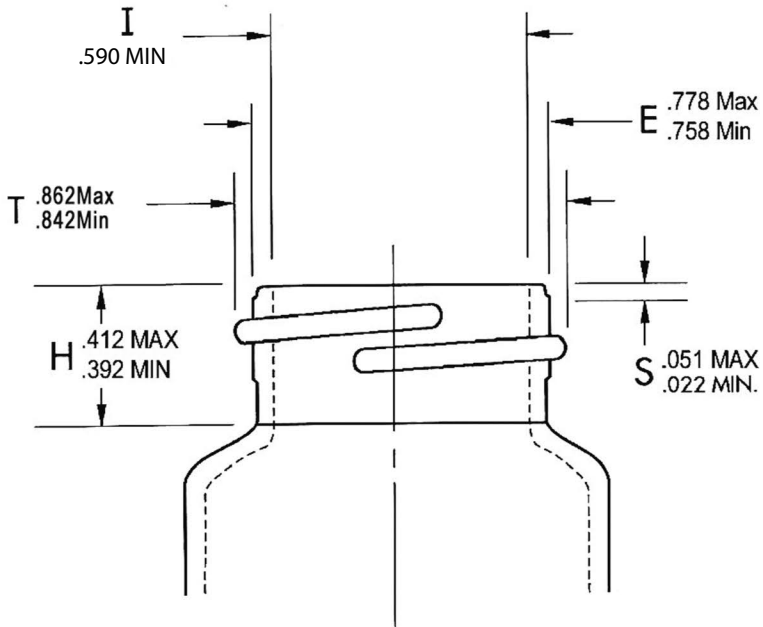
# WE HAVE A PRODUCT FOR YOU



4 dram Clear Borosilicate Glass  
Vials, 22mm 22-400

*Product Category: Threaded Glass Vials*

Part #	30BV20
Capacity	4 dram
Bottle Style	Vial
Color	Clear
Material	Glass
Dimensions	20.5mm Dia. x 52mm L (outside)
Neck Finish	22-400
Neck Width	22 mm
BPA Free	Yes
FDA Approved	Yes
Country of Manufacture	United States
Unit Pack	169 ea. (Shrink Wrapped)
Case Pack	1,014 ea. (6 Units)
Case Weight	35 lbs.



REV:040907-A

GLASS TYPE	EXPANSION	GLASS COLOR	OPEN END FINISH	THREADS PER INCH	BOTTOM
Type 1 Borosilicate	51	Clear	22-400 Threaded	8	Flat

The **CARY** COMPANY  
Est. 1895

ITEMS #:

---

NOTES:

---