

IF YOU...



MIX IT. FILL IT. PACK IT. SHIP IT.

WE HAVE A PRODUCT FOR YOU



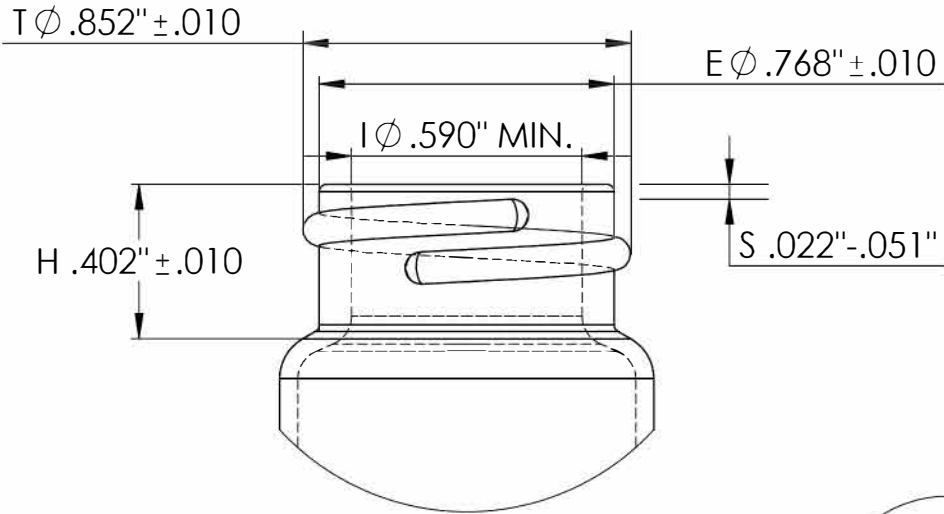
8 dram Clear Borosilicate Glass Vials, 22mm 22-400

Product Category: Threaded Glass Vials

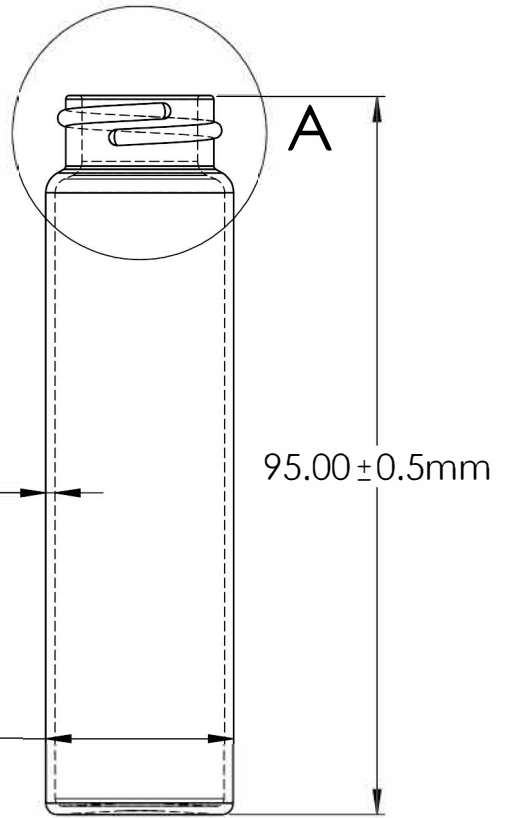
Part #	30BV23
Capacity	8 dram
Bottle Style	Vial
Color	Clear
Material	Glass
Dimensions	25mm Dia. x 95mm L (outside)
Neck Finish	22-400
Neck Width	22 mm
BPA Free	Yes
FDA Approved	Yes
Country of Manufacture	United States
Unit Pack	169 ea. (Shrink Wrapped)
Case Pack	507 ea. (3 Units)
Case Weight	29 lbs.

2

1



DETAIL A
SCALE 2 : 1



B

B

A

A

GLASS TYPE	EXPANSION	GLASS COLOR	OPEN END FINISH	THREADS PER INCH	BOTTOM
Borosilicate Type 1	51	CLEAR	22-400	8	Flat

The
CARY COMPANY
Est. 1895

DATE: 2-15-18

DRAWN BY: KK

APPROVED BY:

2

1