

IF YOU...



MIX IT. FILL IT. PACK IT. SHIP IT.

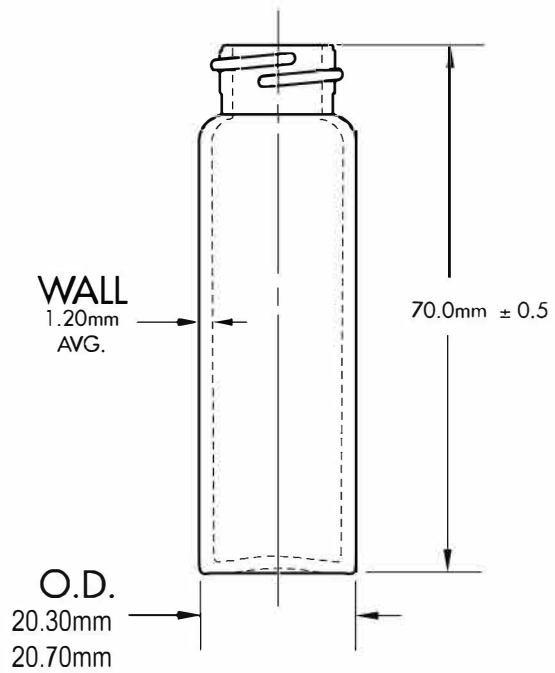
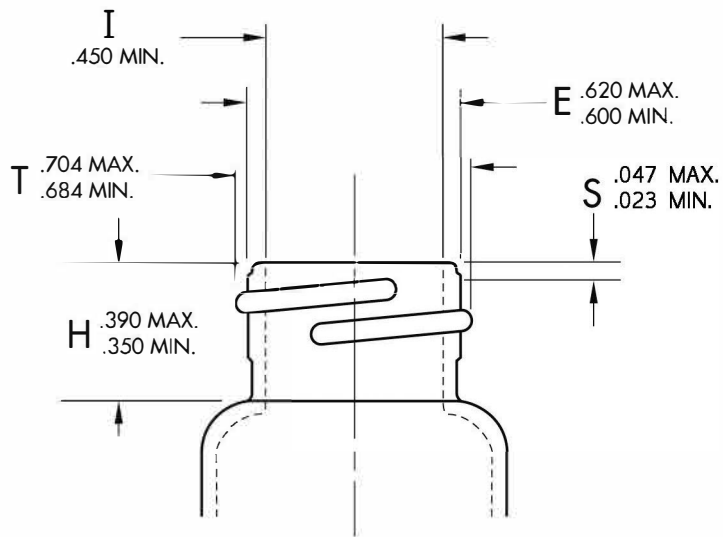
WE HAVE A PRODUCT FOR YOU



4 dram Clear Borosilicate Glass
Vials, 18mm 18-400, 240/pk

Product Category: Threaded Glass Vials

Part #	30BV67
Capacity	4 dram
Bottle Style	Vial
Color	Clear
Material	Glass
Dimensions	20.5mm Dia. x 70mm L (outside)
Neck Finish	18-400
Neck Width	18mm
BPA Free	Yes
FDA Approved	Yes
Country of Manufacture	United States
Unit Pack	240 ea. (Shrink Wrapped)
Case Pack	1,200 ea. (5 Units)
Case Weight	40 lbs.



REV:040907-A

GLASS TYPE	EXPANSION	GLASS COLOR	OPEN END FINISH	THREADS PER INCH	BOTTOM
Type 1 Borosilicate	51	Clear	18-400	8	Flat

The
CARY COMPANY
 Est. 1895

ITEMS #:	
DRAWING #:	