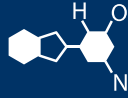


IF YOU...



MIX IT. FILL IT. PACK IT. SHIP IT.

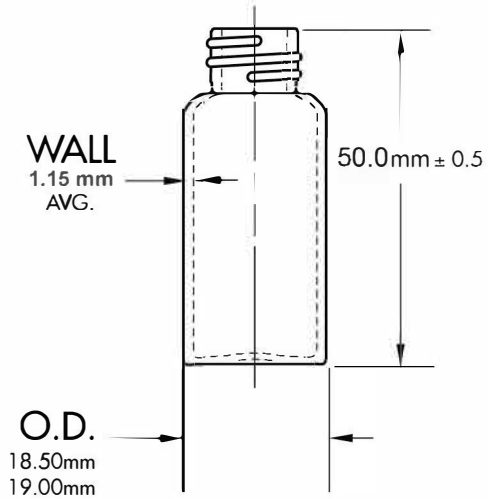
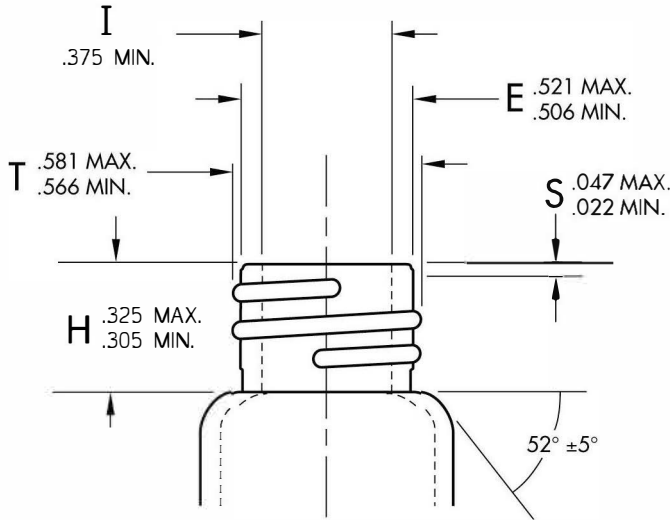
WE HAVE A PRODUCT FOR YOU



2 dram Clear Borosilicate Glass
Vials, 15mm 15-425 (50mm)

Product Category: Threaded Glass Vials

Part #	30BV90
Capacity	2 Dram
Bottle Style	Vial
Color	Clear
Material	Glass
Dimensions	18.75mm Dia. x 50mm L (outside)
Neck Finish	15-425
Neck Width	15 mm
BPA Free	Yes
FDA Approved	Yes
Country of Manufacture	United States
Unit Pack	298 ea. (Shrink Wrapped)
Case Pack	1,788 ea. (6 units)
Case Weight	39 lbs.



GLASS TYPE	GLASS COLOR	OPEN END FINISH	THREADS PER INCH	BOTTOM
Type 1 Borosilicate	CLEAR	15-425 Threaded		Flat

The
CARY COMPANY
 Est. 1895

ITEMS #:	VC151950
DRAWING #:	004012915A