

IF YOU...



MIX IT. FILL IT. PACK IT. SHIP IT.

WE HAVE A **PRODUCT** FOR YOU

Part #30BVA6

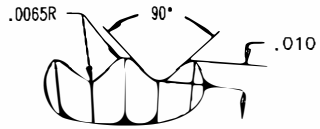
Continuous Thread Caps

13mm 13-425 Black Ribbed (Matte Top) Plastic Cap w/Foam Liner (3-ply)

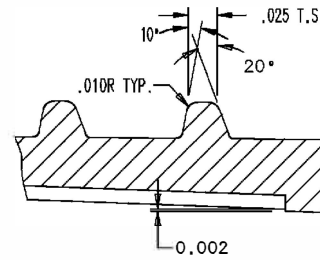
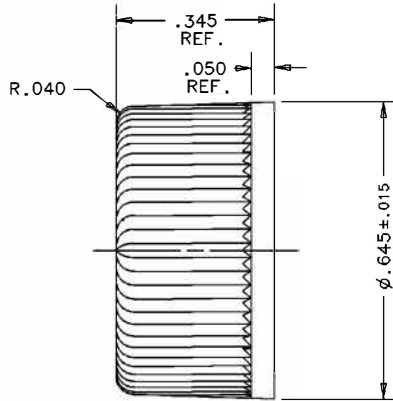


The
CARYCOMPANY
Est. 1895

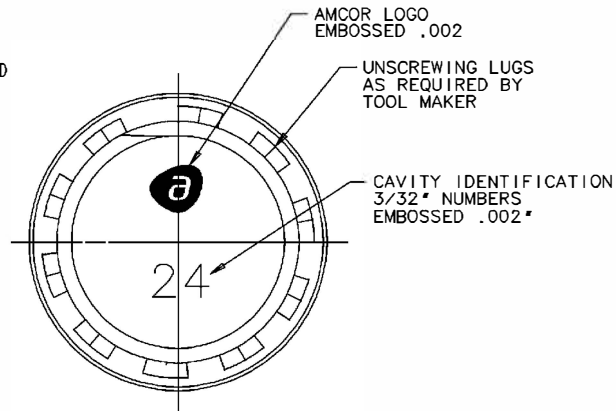
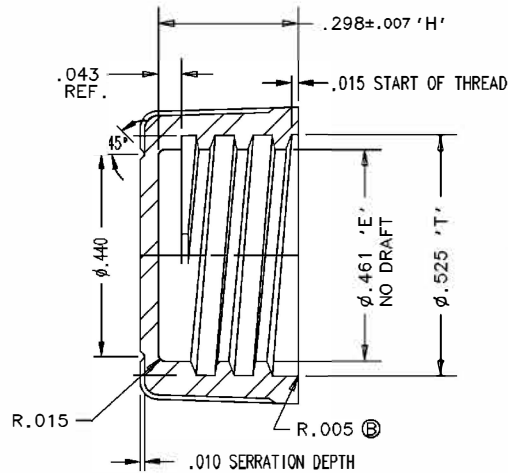
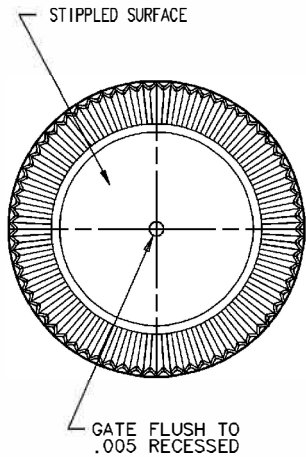
| REV | REVISION DESCRIPTION | BY/DATE |
|-----|------------------------------------|-----------------|
| A | REVISED TO MATCH 15109 | D.D. 6-25-10 |
| B | ADDED R.005 UPDATED TITLE BLOCK | D.D. 9-23-10 |



SERRATION DETAIL
66 EQUALLY SPACED,
SCALE: 20x1



THREAD CONTOUR
12 T.P.I.
SCALE: 10x1



NOTE:

- 1) TOLERANCES APPLY TO THE AVERAGE OF TWO MEASUREMENTS TAKEN 90° APART ON DIAMETERS
- 2) ALL DIMENSIONS APPLY AS MOLDED.
- 3) THIS CLOSURE WILL FIT EITHER G.P.I. OR S.P.I. FINISHES.
- 4) THIS CLOSURE WILL BE LINED PER CUSTOMER SPEC.
- 5) ESTIMATED WEIGHT: 0.72 GRAMS
- 6) REFERENCE #15109



ACTUAL SIZE

| | | | | |
|--|--|-------------------------------|---------------|-----------------|
| MC - PP | | 13/425 RIBBED CLOSURE - LINED | | |
| NFC - | | | | |
| SC - | | | | |
| CAW - | | | | |
| DIMENSIONS ARE IN INCHES. | | DRAWN BY: D.D. | DATE: 10-9-09 | CHECKED BY: DFY |
| TOLERANCES UNLESS OTHERWISE SPECIFIED: DECIMALS ±0.006 | | PROJECT No. - | SCALE: 4x1 | DWG: B-12696 |
| | | | | REV. B |