

IF YOU...



MIX IT. FILL IT. PACK IT. SHIP IT.

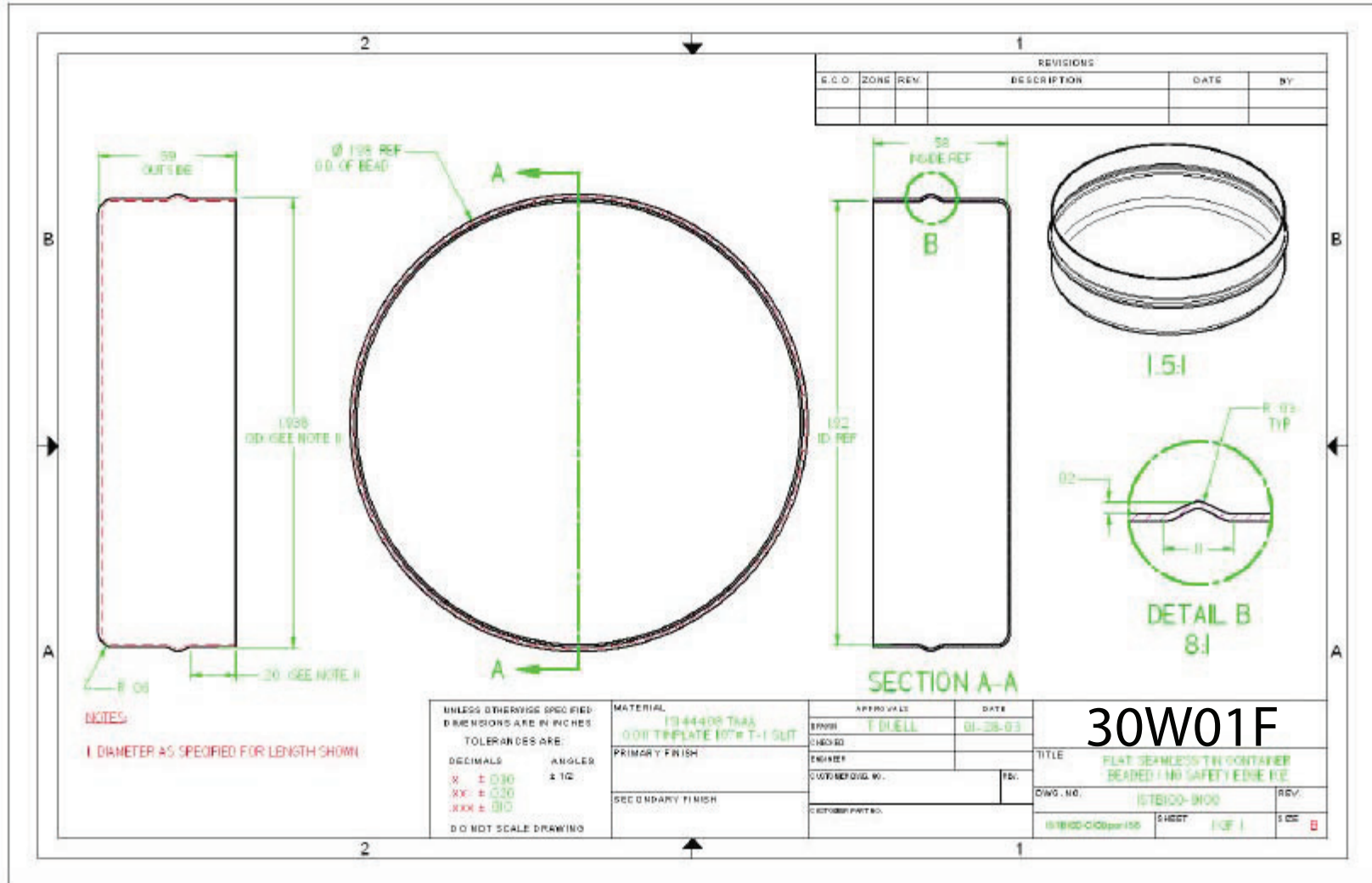
WE HAVE A PRODUCT FOR YOU



Part #	30W01F
Capacity	1 oz.
Color	Silver
Material	Tin
Case Pack	2,500 ea.
Pallet Pack	45,000 ea. (18 Cases)



Supplied By: **The Cary Company**
 Ph: 630-629-6600
 www.thecarycompany.com



1195 W Fullerton Ave, Addison, IL 60101 -P: 630-629-6600 -F: 630-629-3690
 www.TheCaryCompany.com