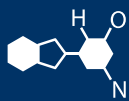


# IF YOU...



MIX IT. FILL IT. PACK IT. SHIP IT.

# WE HAVE A **PRODUCT** FOR YOU

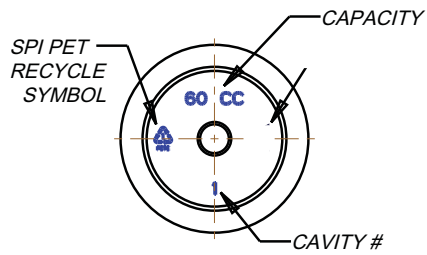
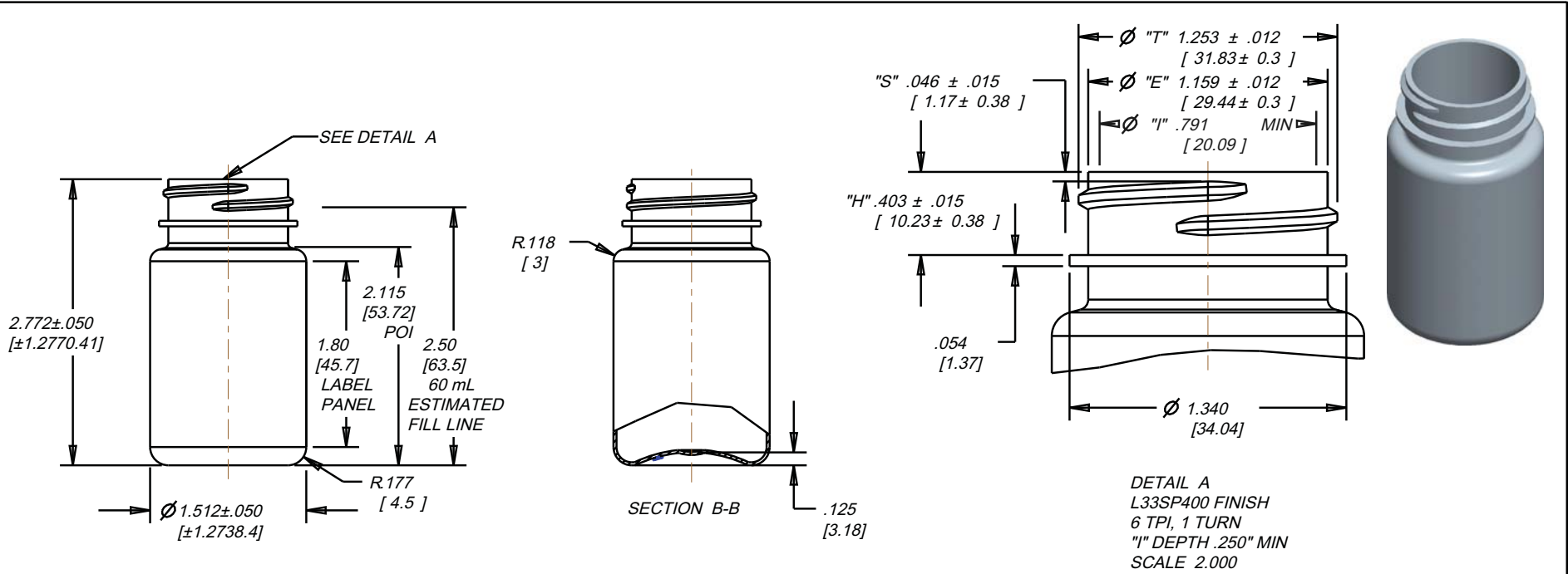
Part # 30W02C

---

2 oz. (60cc) Clear PET Plastic Packer Bottle,  
33mm 33-400

---





DETAIL A  
L33SP400 FINISH  
6 TPI, 1 TURN  
"I" DEPTH .250" MIN  
SCALE 2.000

NPD # 1069							The <b>CARY COMPANY</b> <small>Est. 1995</small> PH 630-629-6600 - FX 630-629-3690 1195 W. FULLERTON AVE. - ADDISON, IL 60101 WWW.THECARYCOMPANY.COM	
All measurements are in inches, [mm]	Color	Min. Thk (in.)	Weight (g)	Overflow (mL)	Revisions			
	All Colors	.008	11.0 ± 1	64 ± 3.5				
Tolerance: Where not shown	NECK FINISH	L33SP400			Scale: 1.000		Drawn By: RAB	Date: 18-Oct-13
Decimal ± 0.05 [1.27] Angular ± 1°	MATERIAL:	PET			60 CC STRAIGHT SIDED PACKER		DwgRev: -	
					Approved By:		Drawing NO: P0060PKSS033A	