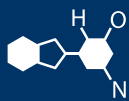


IF YOU...



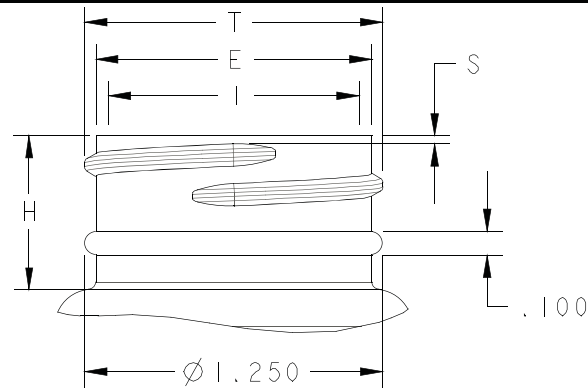
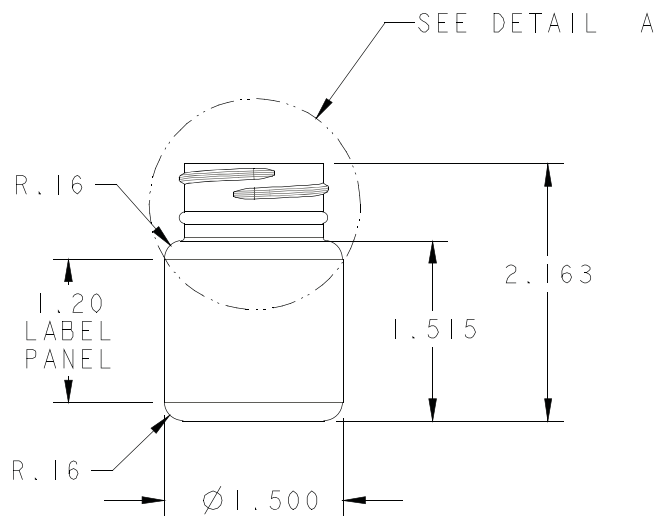
MIX IT. FILL IT. PACK IT. SHIP IT.

WE HAVE A **PRODUCT** FOR YOU

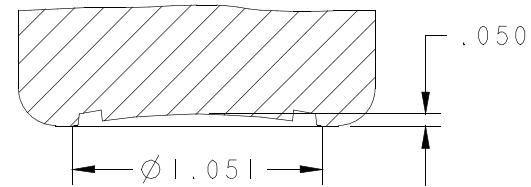
Part # 30W03W

1 oz. (30cc) White HDPE Plastic Packer Bottle,
33mm 33-400

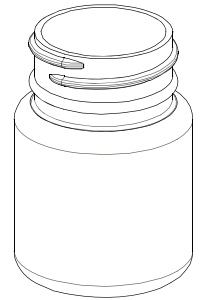
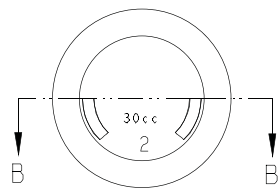




DETAIL A
SCALE 2/1



SECTION B-B
SCALE 2/1



Neck Finish: L33SP400						
All measurements are in inches	Min Thk	Color	Weight	Std. Pack	Revisions	
	.015	All Colors	7 Gms±1	1500, Bulk	A	Std. print format, 04-10-00, SJ
					B	Doc chg only, 02/25/04, sct
Neck Dimensions:				Tolerance: Where not shown		Scale:
T = 1.253±.012				Decimal ±0.050		Drawn By: SCT
E = 1.159±.012				Angular ±1°		Date: 02-25-04
H = .650±.015				Material: HDPE		30cc STRAIGHT SIDED, HDPE
I = .791 MIN				Approved By: SJ		33-400 CT, EXT 30S33
S = .046±.015				Drawing NO: 30PS2XX33L400		DwgRev B
Overflow Capacity: 48 ml ± 3						

Supplied By: **The Cary Company**
 Ph: 630-629-6600
 www.thecarycompany.com

The
CARY COMPANY
 Est. 1895