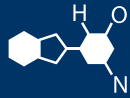


IF YOU...



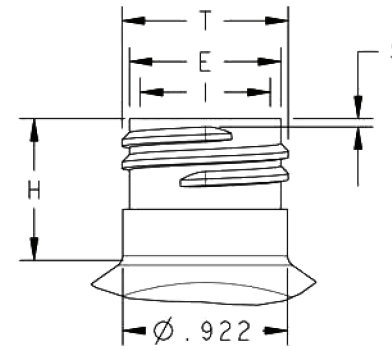
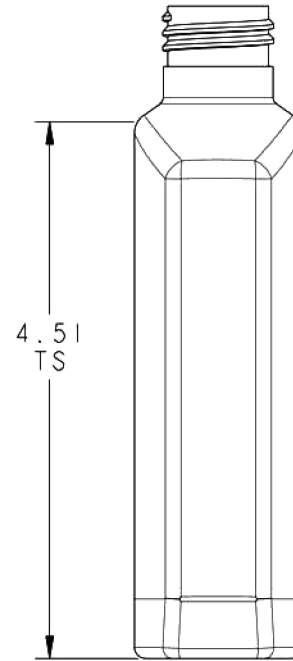
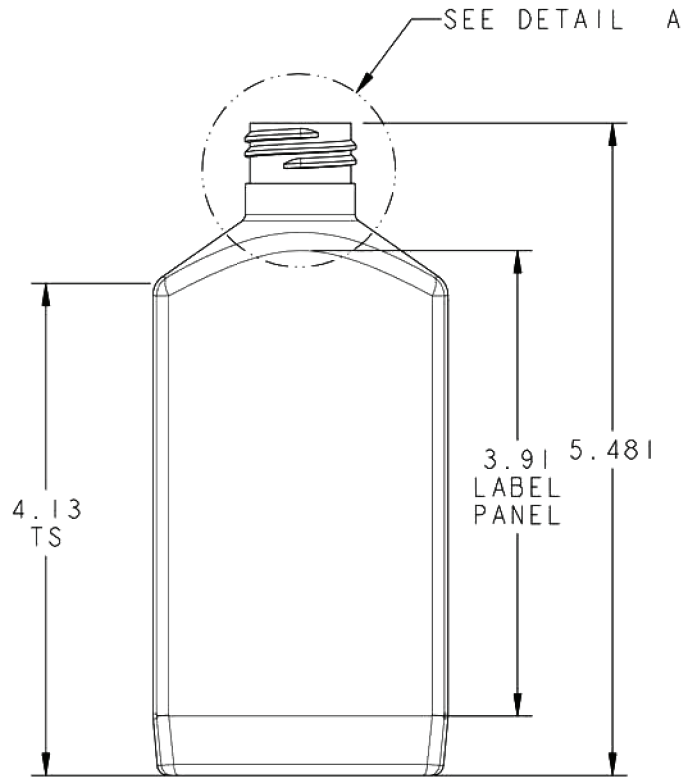
MIX IT. FILL IT. PACK IT. SHIP IT.

WE HAVE A PRODUCT FOR YOU

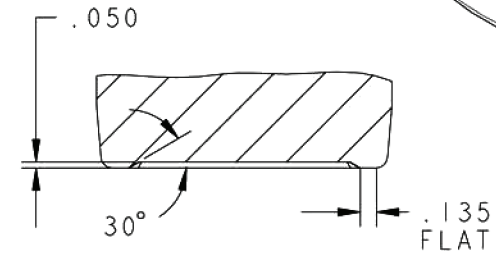
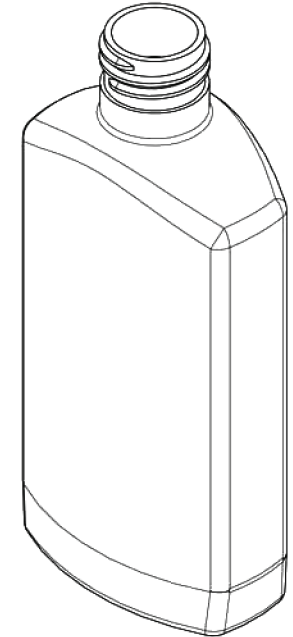
Part # 30W06A

6 oz. Amber PET Plastic Drug Oblong Bottle,
24mm 24-410

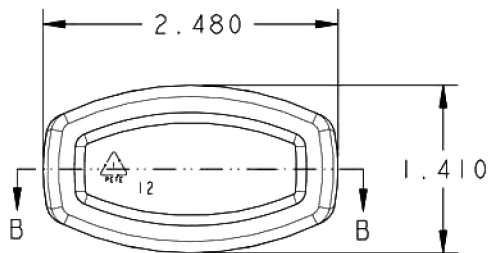




DETAIL A
 SCALE 3/2



SECTION B-B



Neck Finish: M24SP410 SPECIAL					
All measurements are in inches	Min Thk	Color	Weight	Std. Pack	Revisions _____ _____ _____ _____
	.008	All Colors	25.5 Gms±1	330, Bulk	
Special 'H'					Scale: _____ Drawn By: SCT Date: 10-06-06 DwgRev: _____
Neck Dimensions:					
T = .932±.008					Tolerance: Where not shown Decimal ±0.050 Angular ±1
E = .848±.008					
H = .793±.015					Material: PET
I = .516 MIN					
S = .046±.015					Approved By: CGR Drawing NO: P0188XBSH024SP
Overflow Capacity: 203 ml ± 6					
					30W06U 188ml DRUG OBLONG, 24-410 CT, PET (6oz)