

IF YOU...



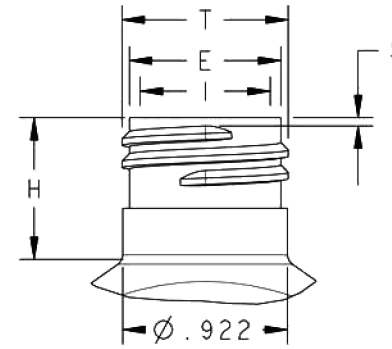
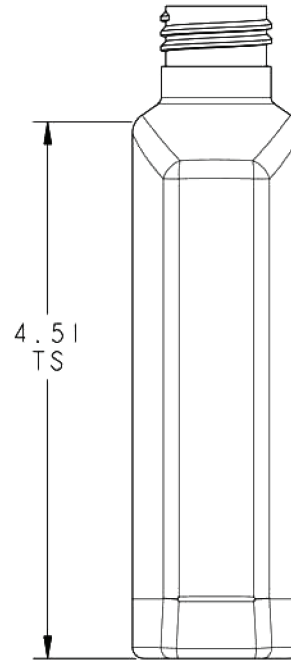
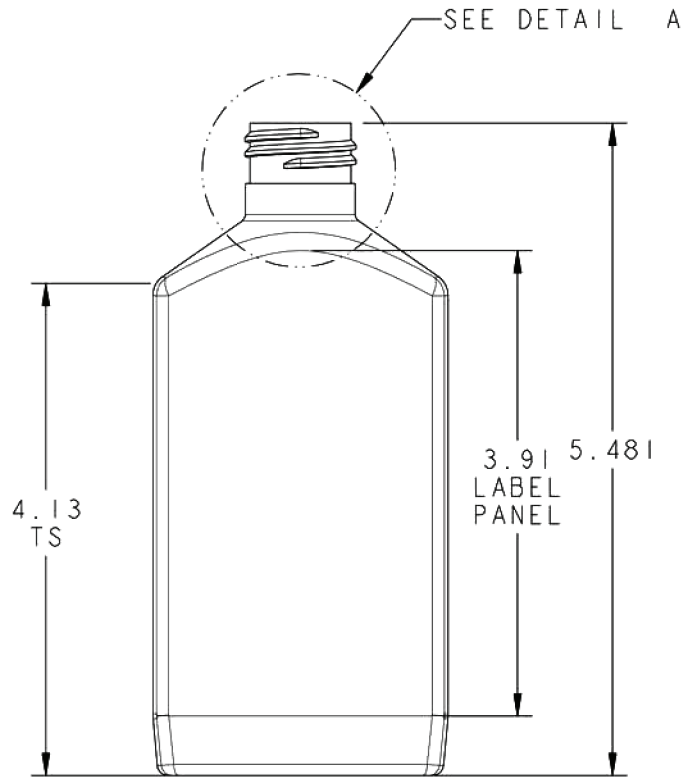
MIX IT. FILL IT. PACK IT. SHIP IT.

WE HAVE A **PRODUCT** FOR YOU

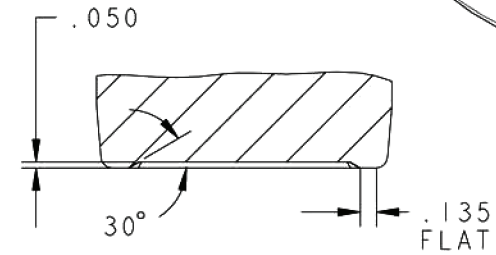
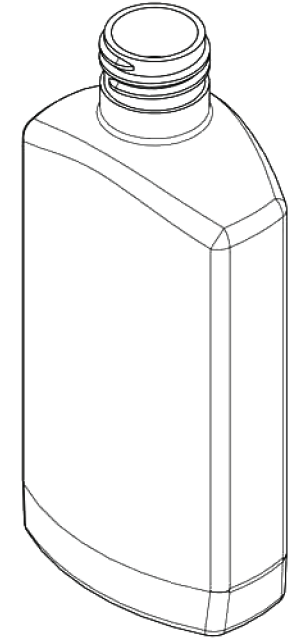
Part # 30W06U

6 oz. Cobalt Blue PET Plastic Drug Oblong Bottle, 24mm 24-410

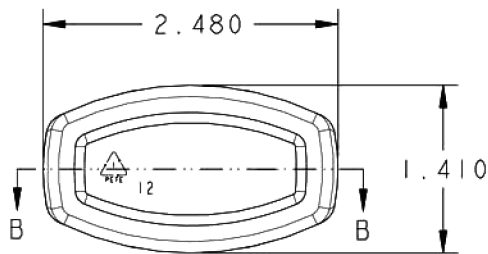




DETAIL A
 SCALE 3/2



SECTION B-B



Neck Finish: M24SP410 SPECIAL					
All measurements are in inches	Min Thk	Color	Weight	Std. Pack	Revisions _____ _____ _____
	.008	All Colors	25.5 Gms±1	330, Bulk	
Special 'H'					
Neck Dimensions:					Tolerance: Where not shown Decimal ±0.050 Angular ±1
T = .932±.008 E = .848±.008 H = .793±.015 I = .516 MIN S = .046±.015					
		Overflow Capacity: 203 ml ± 6		Material: PET	Scale: _____ Drawn By: SCT Date: 10-06-06 DwgRev: _____ 188ml DRUG OBLONG, 24-410 CT, PET (6oz) Approved By: CGR Drawing NO: P0188XBSH024SP