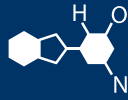


# IF YOU...



MIX IT. FILL IT. PACK IT. SHIP IT.

# WE HAVE A **PRODUCT** FOR YOU

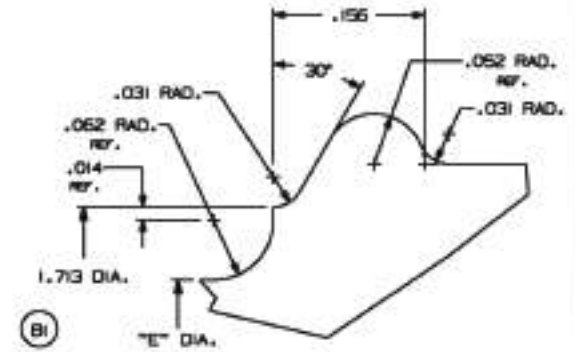
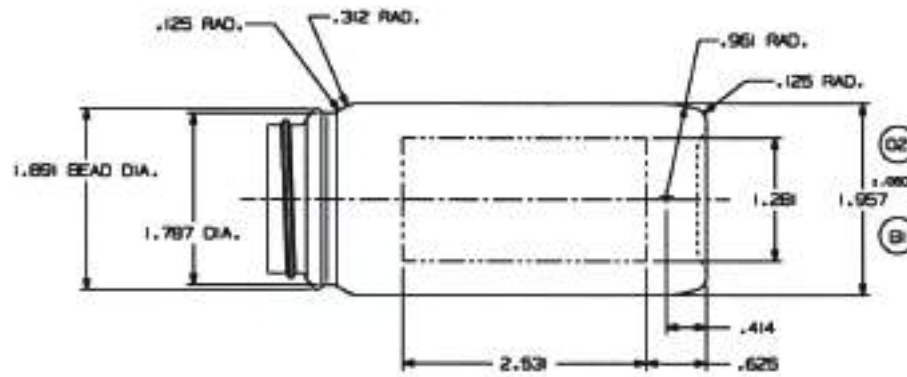
Part # 30W080

---

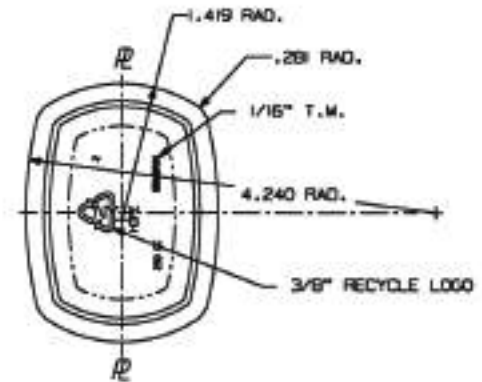
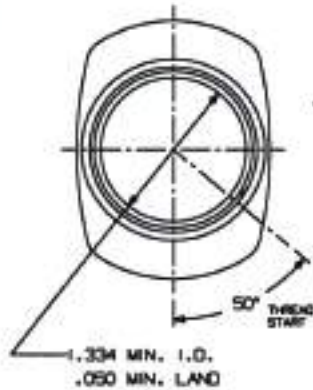
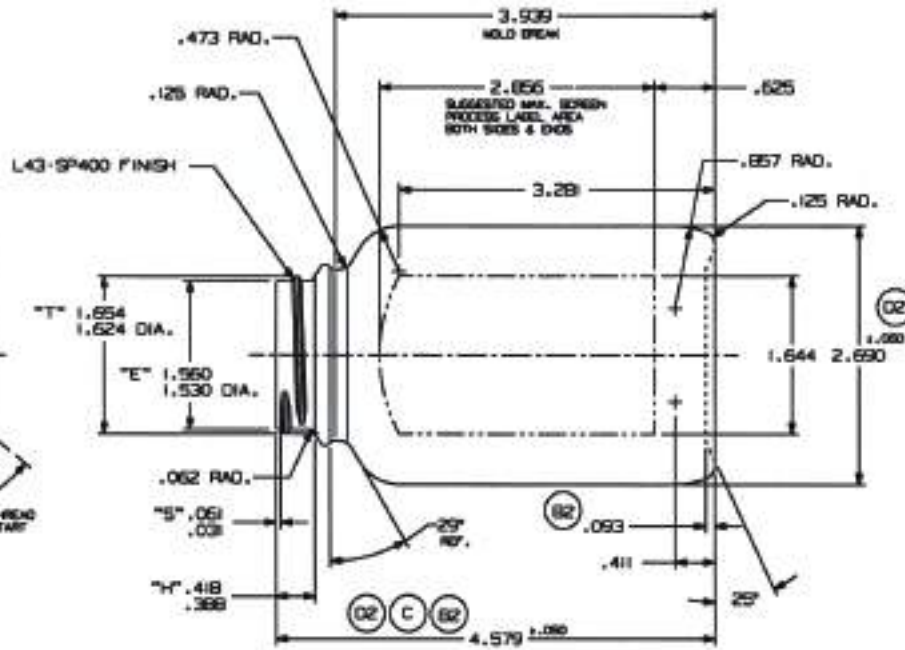
8 oz. (250cc) Natural HDPE Oblong Packer  
Bottle, 43mm 43-400

---





BEAD DETAIL  
SCALE 10 : 1



- NOTES :
- (D1) (B3) 1) OVERFLOW CAPACITY : 9.49 ± .24 FL.OZ. ( 280.6 ± 7.0 CC'S. )
  - (D1) 2) WEIGHT : 23.0 ± 1.5 GRAMS

The **CARY COMPANY**  
Est. 1895

REV	DESCRIPTION	DATE	APPROVED
D2	DRM TOL WAS ±.080, OAR & OAT TOL WAS ±.080	4/8/98	JH
D1	REL. A/D OTC, A/T TOL WAS ±.10/±.10, NET TOL WAS ±1.0		
C	4.578 WAS 4.575	1/6/90	HR
D4	MP	10/9/95	HR
B3	QPC TREAT WAS 285.0 & OAH WAS 27.0		
B2	4.578 WAS 4.584, ROUNDED 1.021 TOL.		
D1	1.967 WAS 1.960 & 1.713 WAS 1.701/1.692		
A	ADSD MPF	3/25/98	HR
LTR			

REVISIONS

DIMENSIONS SHOWN ARE	DRAWN BY	MATERIAL	CUSTOMER
<input type="checkbox"/> AS MOULDED <input checked="" type="checkbox"/> AFTER TREAT	H.S. WHITE	HOPE	
<input type="checkbox"/> AFTER TREAT & OGD <input type="checkbox"/> POST I M L	DATE 3/20/98	QUOTE NO.	
	PREFORM	LABEL DWG NO.	
	MPD	REF. DWG. NO. MC-98278-H	
	PROD. NO.	TOOLING NO. T031-14148	
	DWG. NO. US	CODE NO. HEM 88753	
	SCALE FULL	PLAF. AREA	
			DRAWING NO. MC-9-1164B-D

250 CC  
WIDEMOUTH OBLONG