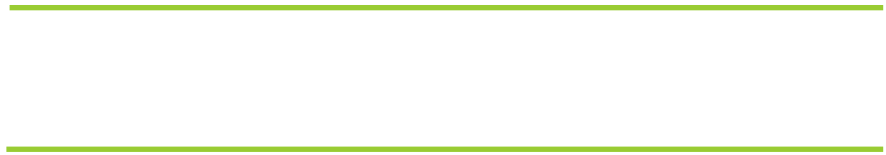


IF YOU...



MIX IT. FILL IT. PACK IT. SHIP IT.

WE HAVE A PRODUCT FOR YOU



Part #	30W08I
Capacity	8 oz.
Color	Silver
Material	Tin
Dimensions	3-1/8" Dia. x 2"H
Case Pack	270 ea.
Pallet Pack	6,480 ea. (24 Cases)

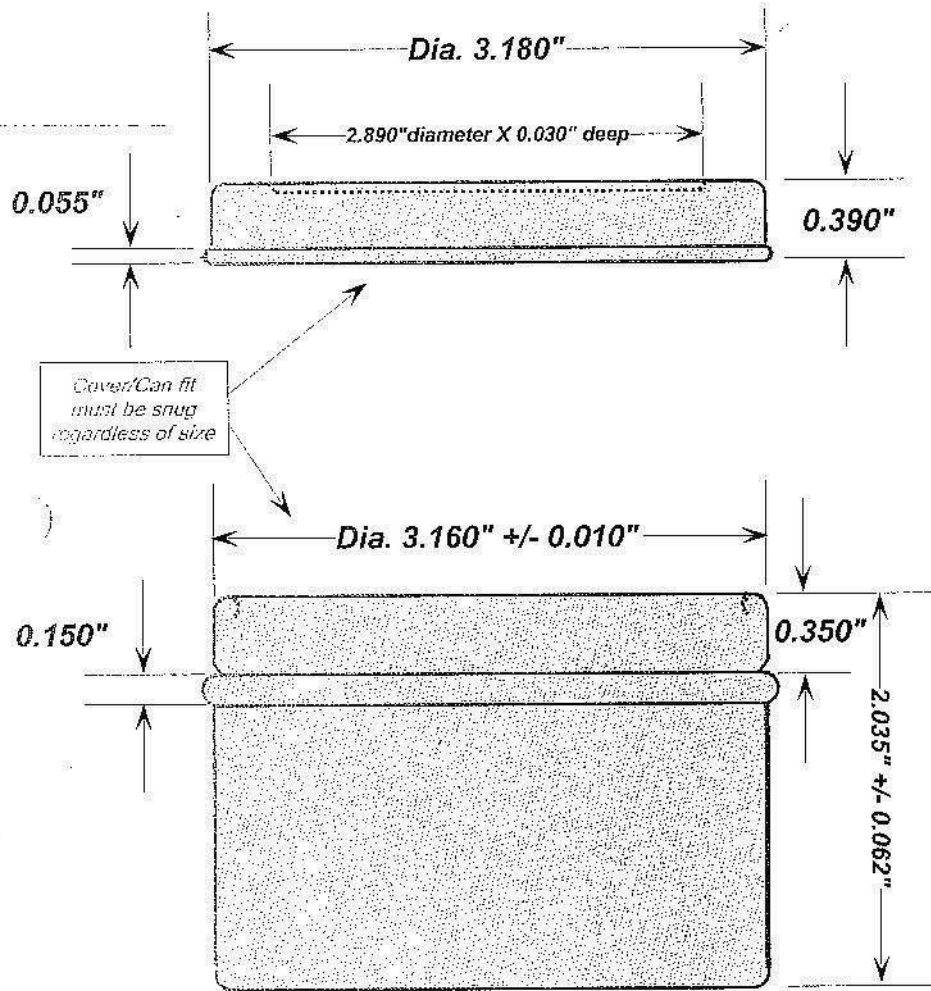


30WWT8, 30W081



Supplied By: **The Cary Company**
Ph: 630-629-6600
www.thecarycompany.com

8 Oz Seamless Can and Solid Cover



30WWT8, 30W081



Supplied By: **The Cary Company**
Ph: 630-629-6600
www.thecarycompany.com

April 11, 2011

80 MM X 52 MM SEAMLESS SLIPCOVER CAN

Item Number: 080S052

DESCRIPTION: Round, drawn steel can and a slipcover closure. No seams. Packed with covers on cans.

DIAMETER:

NOMINAL:..... 80 mm
ACTUAL:..... 80.98 mm ± .25 mm (3.188")

HEIGHT:

NOMINAL:..... 52 mm
ACTUAL:..... 52.25 mm ± 1.00 mm (2.057")

CAPACITY: 240 ml (8.12 Fl. Oz.)to bottom of the curl

WEIGHT:

BODY: 32.67 grams (1.15 Ounces) (+/-8%)
COVER:..... 13.93 grams (.49 Ounces) (+/- 8%)

"COMPOSITION"

TYPE OF METAL:..... ELECTRO-TINPLATE

TEMPER:

BODY:..... T-2
COVER:..... T-2 or T-3

BASE WEIGHT:

BODY:..... 80-83#; Theoretical Thickness = .0090-.0092" (+.0004/-.0007)
COVER:..... 75-83#; Theoretical Thickness = .0083 -.0092" (+.0004/-.0007)

LITHO (Coating) PPG4348-802 Clear Enamel. FDA Approved.

"PACKAGING"

NAME OF CARTON:..... X80Z

DIMENSIONS OF CARTON:

LENGTH:..... 20"
WIDTH:..... 16 ½"
HEIGHT:..... 19 ¼"

QUANTITY PER CARTON:..... 270 Cans Carton

WEIGHT PER CARTON:..... 32 LBS.

30 cartons per pallet. 8,100 cans per pallet. Each pallet weighs 960 lbs (Excluding wooden pallet). Each pallet measures 48" x 40" x 102 ¼" tall including the pallet.