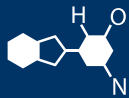


IF YOU...



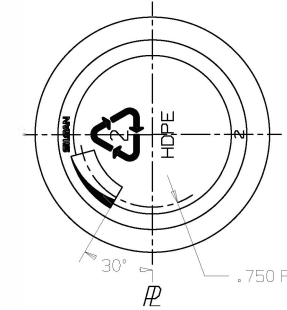
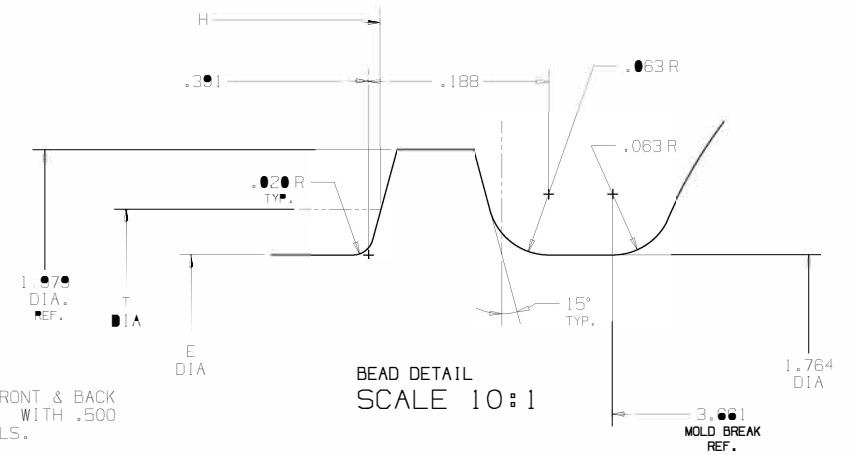
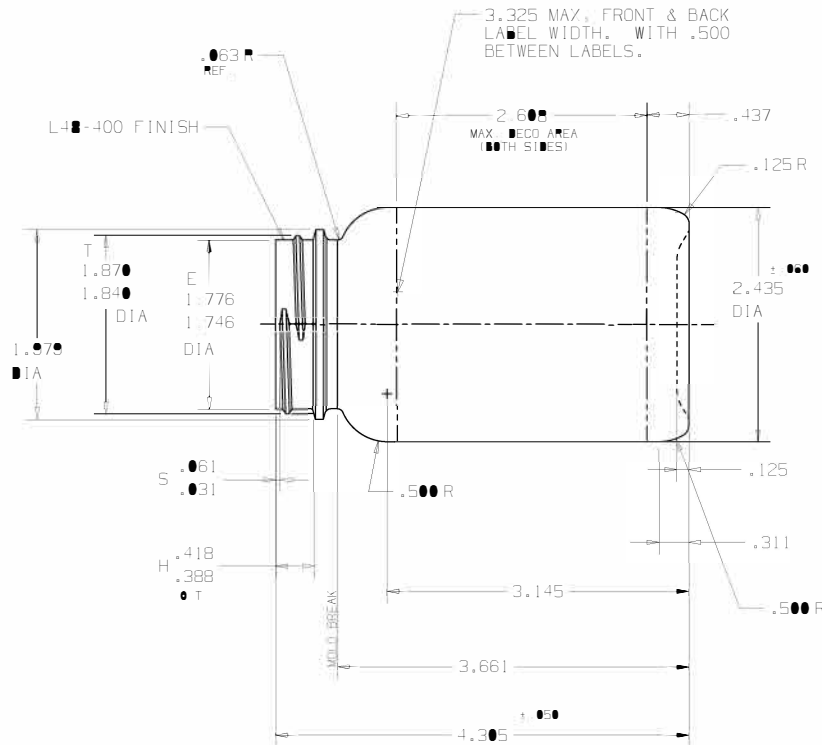
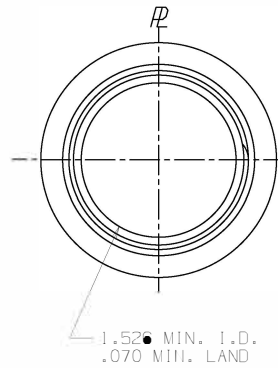
MIX IT. FILL IT. PACK IT. SHIP IT.

WE HAVE A **PRODUCT** FOR YOU

Part # 30W08N

8 oz. (250cc) Natural HDPE Plastic Packer
Bottle, 48mm 48-400





NOTES :

- 1) OVERFLOW CAPACITY : 9.25 ± .24 FL.OZ.
(273.5 ± 7.0 CC'S.)
- 2) WEIGHT : 19.0 ± 1.0 GRAMS
- 3) T, E & I.D. ARE AN AVERAGE OF TWO MEASUREMENTS TAKEN 90° APART.

DIMENSIONS SHOWN ARE: <input type="checkbox"/> AS MOULDED <input type="checkbox"/> AFTER TREAT <input type="checkbox"/> AFTER TREAT <input checked="" type="checkbox"/> BECD	PART NO. 21MAR85 DATE 21MAR85 DES. NO. 21MAR85 REV. NO. 1 INFO. - CA. UG SCALE FULL	MATERIAL HDPE MOLDING NO. MC-624-G REF. MGS. NO. MC-624-G TOOLING NO. 031-11661 DOWE NO. M-68316 SURF. AREA -	CUSTOMER DESCRIPTION 9 FL. OZ. W/M ROUND DRAWING NO. MC-6-624-J
---	---	--	---

J		22FEB12	KENT
H		15FEB03	CAS
LT	DESCRIPTION	DATE	APPROVE
REVISIONS			