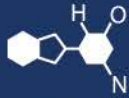


# IF YOU...



MIX IT. FILL IT. PACK IT. SHIP IT.

# WE HAVE A **PRODUCT** FOR YOU

Part #: 30W09M

---

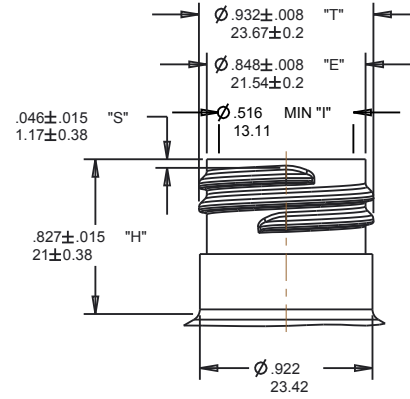
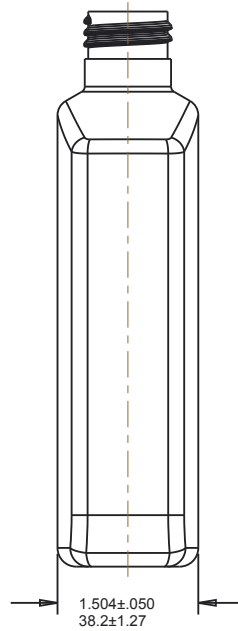
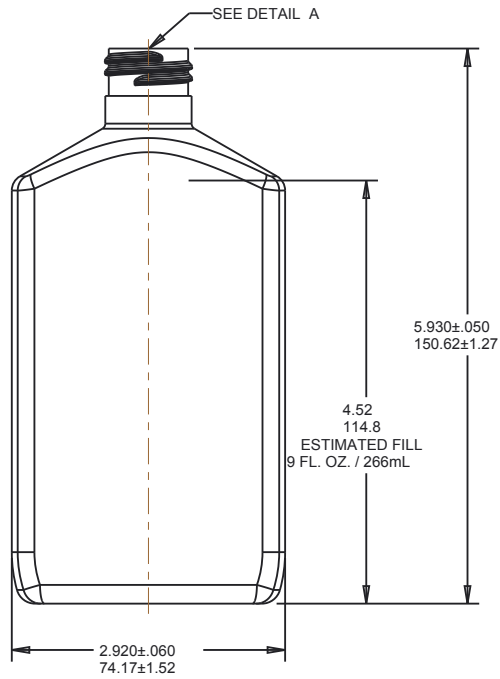
---



---

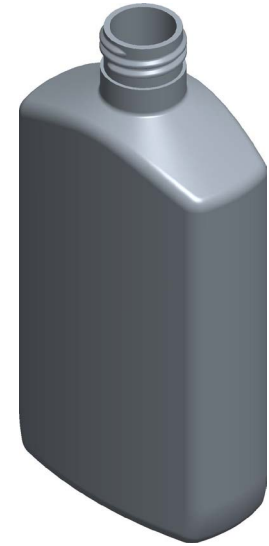
The  
**CARY**COMPANY  
Est. 1895

1195 W. Fullerton Ave. | Addison, IL 60101 | T: 630.629.6600 | F: 630.629.3690 |

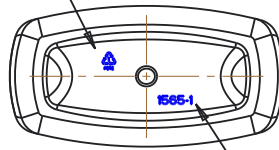


DETAIL A  
NECK FINISH  
8 TPI, 2.0 THREAD TURNS  
SCALE 2.000

REV	E.C.N.	DESCRIPTION	BY	DATE
A	-	DEPTH INCRD (1.44") TO INCREASE OFC (280)	STB	15-JAN-14
B	-	BOTTLE NAME CHANGED (17-JAN-14), WIDTH DECRD (2.96), DEPTH INCRD (1.49), OFC UNCHANGED (290) AT 32.5G, WEIGHT SPEC OF 28.7G ADDED	STB	31-JAN-14
C	-	OFC INCRD & MIN WALL ADDED PER SR #2362. PRELIM STAMP & 32.5G WEIGHT REMOVED	STB	28-APR-14
D	164	BOTTLE NAME CHANGED (9 OZ. MD OBLONG)	STB	01-JUN-17



SPI PET  
RECYCLE  
SYMBOL



PROJECT & CAV #

DISCLAIMER: The Cary Company assumes no responsibility for form, fit and function of closures, accessories, and/or shelf life and compatability of intended contents with this bottle.			
Specification General:	Min. Thk (in.)	Weight (g)	Overflow (mL)
	.008	28.7± 2.0	298± 9
All measurements are in inches, [mm]			
Base engraving is subject to change location & size.			
Tolerance where not shown:	NECK FINISH:	M24-410 SPECIAL "H"	30W09M 266mL DRUG OBLONG
Decimal ±0.05 [1.27]			
Angular ±1°	MATERIAL:	PET	
			Approved By: S Jenn
			Drawing Number: P0266XBMX024BSP

The CARY COMPANY Est. 1895

Scale: 1.000 NPD #: 1565 Drawn By: S.BYRNE Date: 02-JAN-14

Dwg/Rev: D