

IF YOU...



MIX IT. FILL IT. PACK IT. SHIP IT.

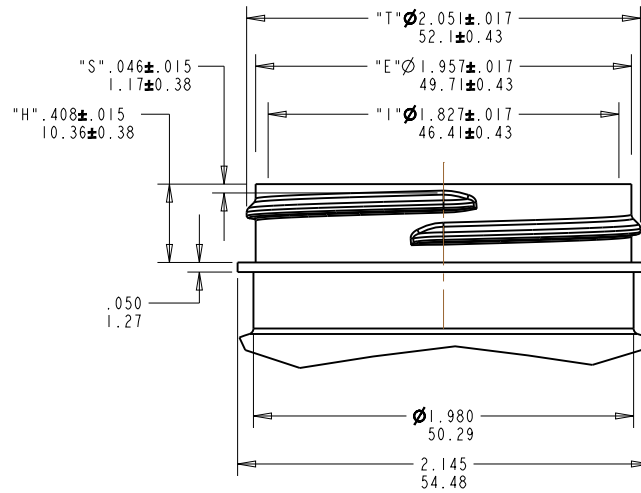
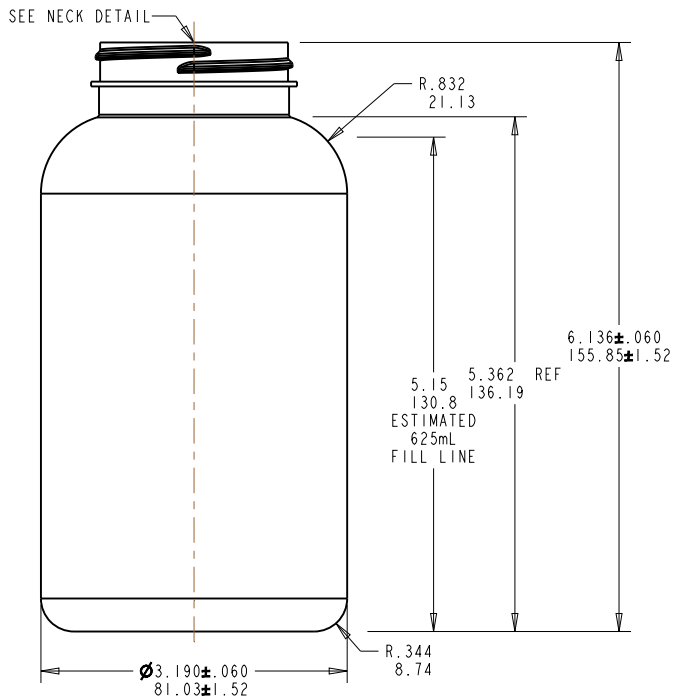
WE HAVE A PRODUCT FOR YOU

Part #: 30W0DA



The
CARYCOMPANY
Est. 1895

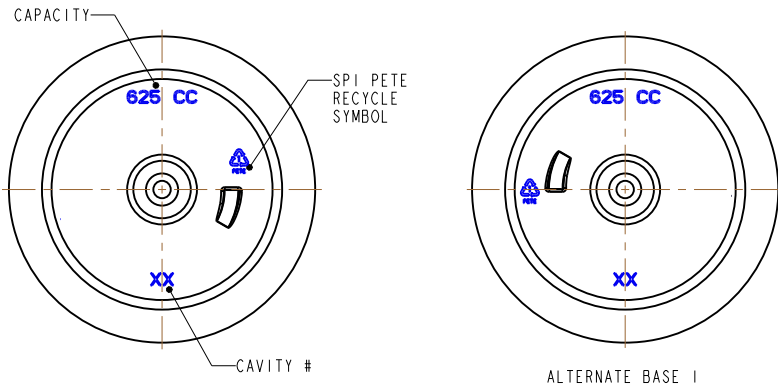
1195 W. Fullerton Ave. | Addison, IL 60101 | T: 630.629.6600 | F: 630.629.3690 |



NECK DETAIL:
SCALE 2:1

FINISH SPECIFICATIONS:

1. FINISH: M53SP400
2. NO. OF TURNS: 1 FULL TURN
3. THREADS PER INCH: 6
4. THREAD START: 90° FROM P.L. (AS SHOWN)



NOTES:

1. CRITICAL DIMENSIONS ARE SHOWN WITH TOLERANCES. CRITICAL DIMENSION TO BE USED FOR QC PURPOSES.
2. ALL OTHER DIMENSIONS TO BE USED FOR REFERENCE ONLY.

02	65.0 ± 3.0	665 ± 13	.015	
01	54.0 ± 3.0	673 ± 13	.015	
No	WEIGHT (g)	OVERFLOW (cc)	MIN WALL (in)	NOTES

TITLE				
625 cc Straight Sided Packer				
TOLERANCES UNLESS OTHERWISE SPECIFIED	DRAWN BY: RAB	NECK: M53SP400	WEIGHT (g): SEE TABLE	
DECIMALS .XX±	DATE: Mar-27-20	MIN WALL (in): SEE TABLE	OVERFLOW (cc): SEE TABLE	
.XXX±	SCALE: 1:1	CUSTOMER: STOCK	3D FILE No: 10A1125	
.XXX±	SHEET: 1 of 1	MATERIAL: PET	DRAWING No: 10A1125	REV: A
FRACTIONS ±	SEE NOTE 1	NPD No: 14725		
ANGLES ±				

REV	ECR	DESCRIPTION	BY	DATE
A	229	INITIAL RELEASE SUPERSEDES DWG # 625PS16X33M400 Rev E.	RAB	Mar-27-20

The
CARY COMPANY
Est. 1895